



DVS Universal No Panel Face With Screen (2014)

Small 95100052

Large 95100053

Compatibility:

- DVS Insert
- 31 DVI Insert

Packing List:

- Face
- (2) Insert Brackets
- (2) Face Brackets
- (4) 10-24 x 1/2" Screws
- (4) 8-32 Nuts

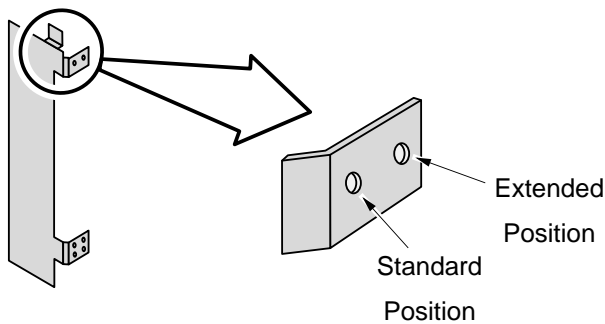
Sizing:

	Width	Height
Small (95100052)	37"	23"
Large (95100053)	40"	29"

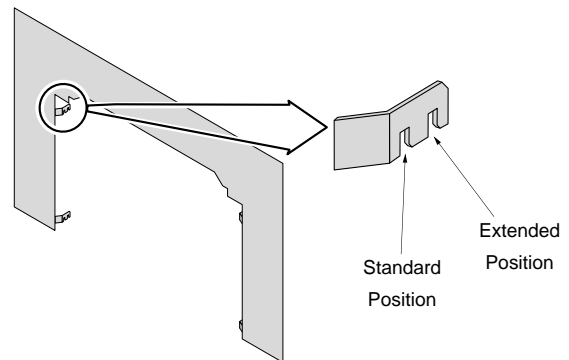
NOTE: Surround Panels are Not Required - If Using Panels Use Standard Position

The new 2014 surround panels (1 or 3-piece) have two sets of holes/slots to accommodate the new faces that include screens. The extended position is not used for this face – **make sure to use the standard position** (see the illustrations below). Older, pre-2014 panels work for this face as well (those panels were standard position only).

3-Piece Panels



1-Piece Panel

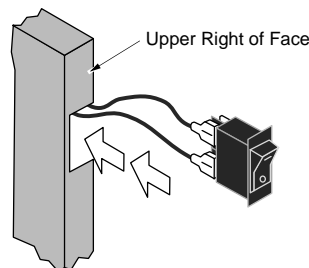


Installation of the Rheostat and On/Off Switch (31 DVI Only)

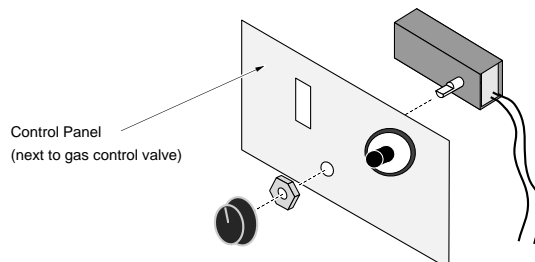
When using this face you may install the on/off switch on the face (see instructions below) or on the control panel (see manual). The rheostat must be installed on the control panel. See the directions below for details.

WARNING: Make sure to unplug the heater before installing the rheostat.

Make sure the wires leading to the on/off switch are firmly attached (they attach to the top and bottom posts on either side of the switch -it does not matter which wire is on top). Route the on/off switch to the slot on the upper right of the face (you will need to remove the lock-tie on the wiring harness). Remove the knock-out and slide the switch into the rectangular slot until it locks into place.



Remove the knob and nut from the rheostat. Insert the shaft on the rheostat through the circular hole on the control panel and secure with the nut. Replace the knob.





Installation



WARNING: Turn off gas to the appliance and make sure it is fully cool prior to service.

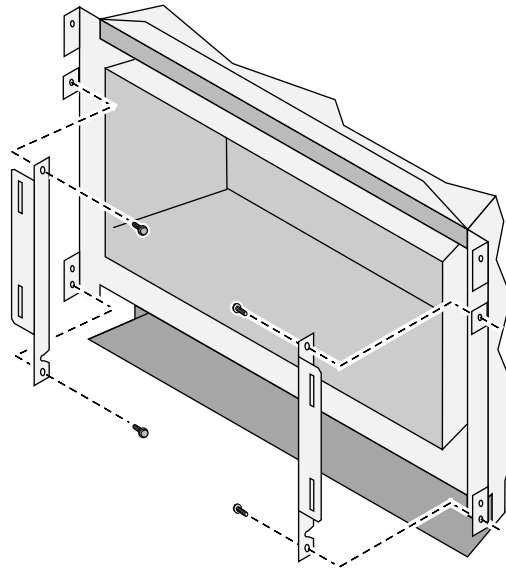


HINT: The insert should be in place with the gas line, vent, and electrical line attached. You may pull the insert out slightly for better access.

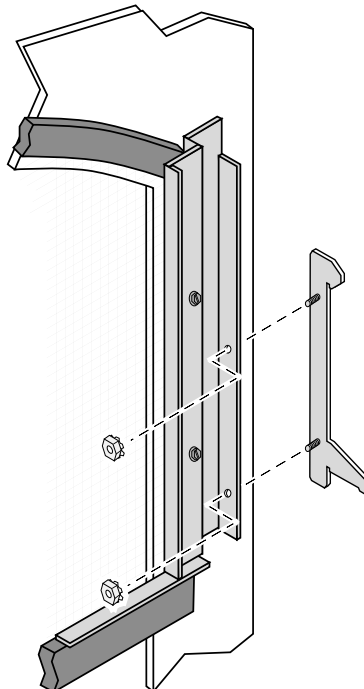
- 1 Remove the glass (see the owner's manual).
- 2 If using surround panels, install them at this time.
- 3 Install the insert brackets following the directions below.

Attach the insert brackets to the insert with the included screws.

HINT: pre-thread the holes on the insert before installing the brackets.



- 4 Replace the glass (see owner's manual).
- 5 Attach the face brackets to the face with the included nuts (see illustration below).





DVS Universal No Panel Face With Screen (2014)

Small 95100052

Large 95100053

6 The face mounts to the brackets as shown in the illustration below.

