





*Classic Arch™ face , three-piece panel and Insert Wiring Kit*

# Premium Quality Wood Inserts from the Biggest Innovator in Fire

Turn your old inefficient fireplace into a clean burning, cost-effective and reliable source of heat with a Flush Wood Insert by FireplaceX®. Our lineup of wood burning inserts feature a sleek, flush design that does not extend out onto the hearth to offer a classic, finished look that will complement any home's décor. All inserts feature a big, beautiful fire viewing area and concealed convection fans which increase the transfer and circulation of heat throughout your home.

## Dare To Compare

When compared to any other insert on the market, you will find that our Flush Wood Inserts offer you the best choice in looks, construction and performance. Premium materials like steel, ceramic glass and real masonry brick are combined with beautiful styling, durability and optimum performance designed to heat your home for years to come. We dare you to compare!

Available in three sizes, these inserts all feature clean, efficient wood burning technologies:

- Medium Flush Wood Plus model features High Performance Secondary Combustion Technology
- Small and Large models feature our exclusive and award-winning Hybrid-Fyre® Technology

## Our Story

FireplaceX®, or Fireplace Xtordinary takes pride in its Pacific Northwest heritage, and for over 35 years we've been heating homes across North America with impeccably crafted fireplaces built in Western Washington. What started as one man, a tiny shop, a dream, and a cup of Starbucks coffee has grown into the largest privately owned hearth manufacturer in North America. If you are visiting the Pacific Northwest we'd love to show you how the most incredible fireplaces in the world are hand-crafted at our factory in Mukilteo, Washington, and plan on staying for lunch.

*COVER: Shadowbox™ face with insert wiring kit and single piece surround panel.*



*Large Flush Wood Hybrid-Fyre shown with Universal face , seamless one-piece panel and Insert Wiring Kit*



*Large Flush Wood Hybrid-Fyre shown with Shadowbox™ face , seamless one-piece panel and Insert Wiring Kit*



# SMALL FLUSH WOOD INSERT

FIREPLACE XTORDINAIR



*Metropolitan™ face, seamless one-piece panel and Insert Wiring Kit*

## Small Flush Wood Hybrid-Fyre® Insert

The Small Flush Wood Hybrid-Fyre® Insert is the perfect solution to convert your open fireplace into a cozy heating source for your home. Its compact size will fit into virtually any small masonry or ZC fireplace and it features a detachable flue collar for effortless installations. The flush fit of this insert gives a clean, finished appearance. A sleek rectangular door highlights a beautiful fire and adds to the sophistication of this unit. The two standard concealed 90 CFM fans quietly and efficiently distribute heat throughout your home. The Small Flush Wood Hybrid-Fyre® Insert is a compact unit with a powerful performance that will add comforting warmth and ambiance to your home.

EPA Phase II Approved 0.89*Grams/Hour <i>*As tested using EPA B-415.1 standard</i>	Overall Efficiency** 76.5%	Heating Capacity Up to 1,000 Sq. Ft. <i>May vary depending on degree of home insulation, floor plan and ambient temperature zone of the area you live.</i>	Up to 47,000 BTU's/Hr. with cord wood <i>BTU's will vary depending on fuel type, moisture content and atmospheric conditions.</i>	7 Hour Maximum Burn Time <i>With Cord Wood</i>	1.2 Cubic Foot Firebox
--	-------------------------------	--	--	---	------------------------

\* Emissions for the Small Flush Wood were achieved using the EPA Method 5-G and 28A.

\*\* Efficiency for the Small Flush Wood were achieved using the weighted average of the Low, Med-Low, Med-High and High Burn Rates, during the EPA Method 5-G and 28A emissions series using the B415.1 standard and HHV for the test fuel.

## Features

- Accommodates 18" logs.
- Heavy Gauge 5/16" & 3/16" Steel Plate Construction.
- Glass Viewing Dimensions: 18"W x 8"H.
- Weight: 265 lbs. (118kg).
- Designed to fit into small zero clearance or masonry fireplaces.
- Wood Moisture Meter comes with your insert that allows you to test your wood to ensure it is dry and will burn efficiently.
- Standard Bypass Damper for easy start-up and smoke free reloading

- Heavy-duty masonry lined firebox for enhanced heat transfer
- High temperature Neoceram™ safety glass
- Optional Insert Wiring Kit allows for a hard-wire connection within the firebox, eliminating the convection fan power cord running across the hearth.
- Optional adjustable offset adapter and the removable flue collar allows for installation into fireplaces with limited space.
- Optional GreenStart™ igniter makes starting your fire as easy as a push of a button.

## Surround Panels

Designed to finish off the fireplace opening behind the face.  
Seamless One Piece Panel - Coverage Area: 38"W x 25" H

Custom rectangular or arched sizes are available by special order.

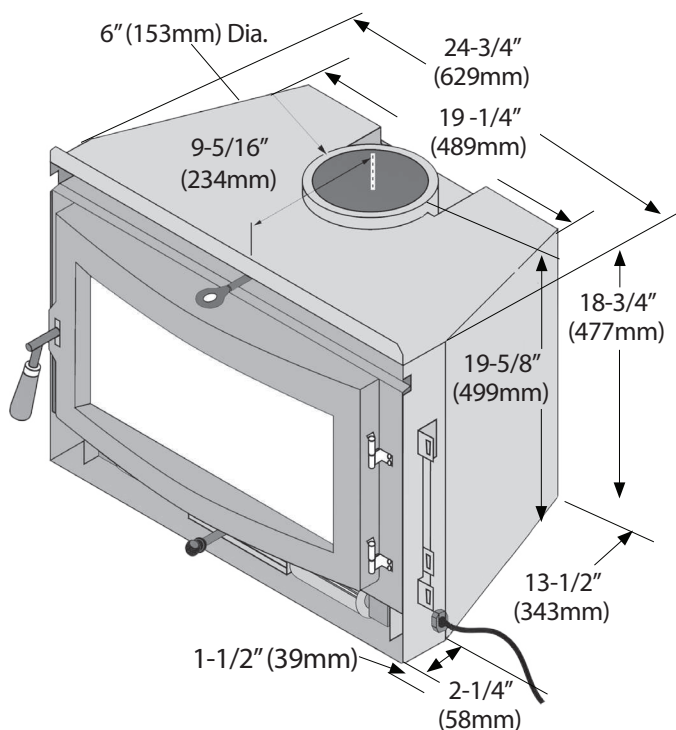
## Chimney Venting

FireplaceX® has partnered with Duravent Mfg. to offer great cost effective venting options specifically designed for the Flush Wood Insert.

### Both Masonry and ZC Liner Kits Include:

6" 304 stainless steel flex pipe, inserts adapter, and factory built termination components. Available in 15', 25', and 35' lengths.

## Dimensions



## Decorative Face Options



Metropolitan™ face - 30" W x 21-1/2" H with FireplaceX® convection outlets



Universal face - 30" W x 21-1/2" H with vertical outlets



Artisan™ face, seamless one-piece panel and insert wiring kit.

## Medium Flush Wood Plus Insert

The Flush Wood Plus™ insert converts a wasteful masonry or zero clearance fireplace into an excellent heat source that can provide reliable warmth at a fraction of the cost of electricity or oil. Not only is heating with wood affordable, it is extremely efficient when utilizing the clean burning, non-catalytic technology found in the Flush Wood Plus™. With a five-sided convection chamber and standard twin 90 CFM fans, this insert is designed to deliver the maximum heat output from the wood you burn. All inserts are American made and created out of only the highest quality materials such as heavy gauge steel, a unibody firebox, real masonry brick, a one piece seamless flue, and stainless steel baffle.

EPA Phase II Approved 4.4 Grams/Hour	Overall Efficiency* 76.9%	Heating Capacity Up to 2,000 Sq. Ft. <i>May vary depending on degree of home insulation, floor plan and ambient temperature zone of the area you live.</i>	Up to 73,300 BTU's/Hr. with Cord wood <i>BTU's will vary depending on fuel type, moisture content and atmospheric conditions.</i>	10 Hour Maximum Burn Time <i>With Cord Wood</i>	2.2 Cubic Foot Firebox
--	---------------------------------	--	---	--	------------------------------

\* Efficiency For the Flush Wood Plus achieved using B415.1 test method, and the LHV value for the test fuel at the Medium Low Burn Rate (IRS Method).



## Features

- Accommodates 24" logs.
- Heavy Gauge 5/16" & 1/4" Steel Plate Construction.
- Glass Viewing Dimensions: 22 1/2" W x 10" H.
- Weight: 450 lbs. (204 kg).
- Heavy-duty masonry lined firebox for enhanced heat transfer
- High temperature Neoceram™ safety glass
- Wood Moisture Meter comes with insert that allows you to test your wood to ensure it is dry and will burn efficiently.
- Optional adjustable offset adapter allows for installation into fireplaces with limited space.
- Optional Insert Wiring Kit allows for a hard-wire connection within the firebox, eliminating the convection fan power cord running across the hearth.
- Optional GreenStart™ igniter makes starting your fire as easy as a push of a button.

## Surround Panels

Designed to finish off the fireplace opening behind the face. These panels come in two sizes.

42" Wide x 30 1/2" Height

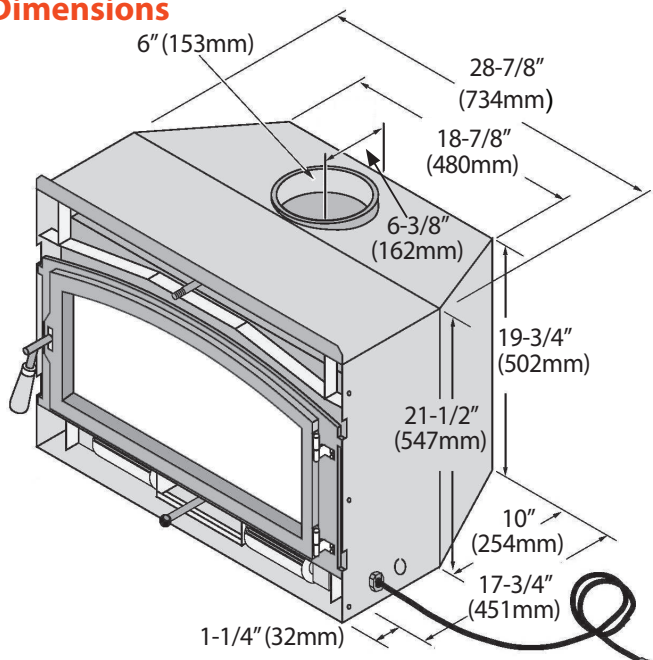
44" Wide x 34" Height

Custom sized one-piece panels are also available through your local FireplaceX® dealer.

## Chimney Venting

The Flush Wood Plus™ requires a complete chimney relining of the existing chimney system. There are Liner Kits available for both MASONRY and ZERO CLEARANCE fireplaces. These kits come in 15', 25' and 35' lengths and include 6" stainless steel flex chimney, insert to chimney adapter and factory built termination components to finish off the top of your existing chimney.

## Dimensions



## Rectangular Door Face Options



*Black Painted Shadowbox™ face with concealed convection outlets.  
35-3/4" W x 22-1/8" H*



*Bronze Painted Shadowbox™ face with concealed convection outlets.  
35-3/4" W x 22-1/8" H*



*Universal face with convection outlets.  
33-3/8" W x 23-1/4" H*



*Metropolitan™ face with FireplaceX® pattern convection outlets.  
33-3/8" W x 23-1/4" H*



*Times Square™ face with horizontal convection outlet.  
35-3/4" W x 22-1/4" H*

## Arched Door Face Options



*Classic Arch™ with FireplaceX® pattern convection outlets.  
33-1/4" W x 23-3/4" H*



*Artisan™ hand-forged, hand-hammered iron face with FireplaceX® pattern convection outlets.  
33-1/4" W x 23-3/4" H*

**FIREPLACE**

**LARGE FLUSH WOOD INSERT**



*Classic Arch™ face, seamless one-piece panel and insert wiring kit.*

## Large Flush Wood Hybrid-Fyre® Insert

At .58 grams per hour the super efficient, Large Flush Wood Hybrid-Fyre insert is the cleanest burning insert in the world. This unit is available in both an Arch Door model and a Rectangular Door model with face options to suit your discerning taste. This unit comes standard with twin 90 CFM convection fans to quickly heat your home. Rated to heat up to 2,500 square feet, this model can accommodate a 24" log and offers up to a 12 hour burn time. The flush styling and various panel options offers you the custom "built-in fireplace" appearance.

EPA Phase II Approved 0.58 Grams/Hour*	Overall Efficiency ** 80.3%	Heating Capacity Up to 2,500 Sq. Ft. <i>May vary depending on degree of home insulation, floor plan and ambient temperature zone of the area you live.</i>	Up to 83,220 BTU's/Hr. with Cord wood <i>BTU's will vary depending on fuel type, moisture content and atmospheric conditions.</i>	10-12 Hour Maximum Burn Time Cord Wood	3.0 Cubic Foot Firebox
---	--------------------------------	--	--	---	------------------------

\* Emissions for the Large Flush Wood were achieved using the EPA Method 5-G and 28A.

\*\* Efficiency for the Large Flush Wood were achieved using the weighted average of the Low, Med-Low, Med-High and High Burn Rates, during the EPA Method 5-G and 28A emissions series using the B415.1 standard and HHV for the test fuel.

## Features

- Accommodates 24" logs.
- Heavy Gauge 5/16" & 3/16" Steel Plate Construction.
- Glass Viewing Dimensions: 24 1/2" W x 13" H.
- Weight: 530 lbs. (236kg).
- Approved for masonry and zero clearance fireplaces.
- Heavy-duty masonry lined firebox for enhanced heat transfer
- High temperature Neoceram™ safety glass
- Wood Moisture Meter comes with insert that allows you to test your wood to ensure it is dry and will burn efficiently.
- Optional adjustable offset adapter allows for installation into fireplaces with limited space.
- Optional Insert Wiring Kit allows for a hard-wire connection within the firebox, eliminating the convection fan power cord running across the hearth.
- Optional GreenStart™ igniter makes starting your fire as easy as a push of a button.

## Surround Panels

Designed to finish off the fireplace opening behind the face. These panels come in two sizes:

42" Wide x 32-1/2" Height

47" Wide x 35" Height

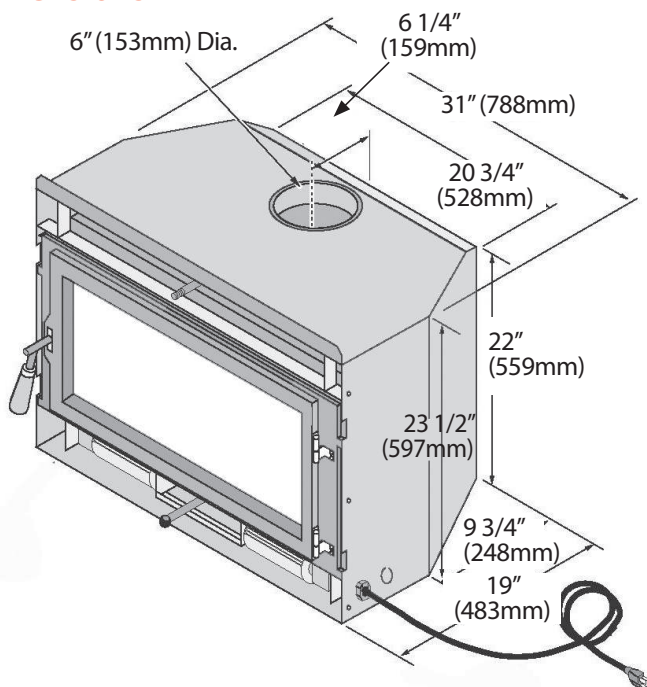
Custom rectangular or arched sizes are available by special order.

## Chimney Venting

FireplaceX® has partnered with Duravent Mfg. to offer great cost effective venting options specifically designed for the Flush Wood Inserts. Both Masonry and ZC Liner Kits Include:

6" 304 stainless steel flex pipe, insert adapter, and factory built termination components. Available in 15', 25', and 35' lengths.

## Dimensions



## Rectangular Door Face Options



*Shadowbox™ face with concealed convection outlet.  
37-3/4" W x 25-1/8" H*



*Universal™ face with vertical convection outlets.  
35-7/16" W x 26-1/4" H*



*Metropolitan™ face with FireplaceX® pattern convection outlets.  
35-3/8" W x 26-1/4" H*

## Arched Door Face Options



*Classic Arch™ face with FireplaceX® pattern convection outlets.  
35-1/4" W x 26-3/8" H*



*Artisan™ hand-forged, hand-hammered iron face with FireplaceX® pattern convection outlets.  
35-3/8" W x 26-1/4" H*

# GREEN START™

## The Revolutionary GreenStart™ Igniter Option

*Starting your wood insert has never been easier! Much like Charles Kettering's invention of the electric automobile ignition 100 years ago, the GreenStart™ igniter system has evolved the ignition of wood in a spectacular way and has become the greatest innovation in wood heating in over 100 years.*

Starting a fire in your Flush Wood Inserts is now as convenient as pushing a button. This incredible ignition system eliminates the mess of starting a fire with matches and newspaper, while increasing safety at the same time.

The patent-pending, breakthrough technology of the GreenStart™ system works much like a blacksmith bellows. When you push the button you start an igniter which heats the air to 1,400 degrees F. The compressor (bellows) then forces the super-heated air into the firebox, lighting the wood for a fast, clean, smoke-free startup. The fire starts in a matter of a few minutes with the whole process lasting 15 minutes.

The GreenStart™ system is also perfect for refreshing a fire; add new fuel to the hot coals and push the button twice. Pushing the button twice will bypass the igniter and turn on the compressor, adding enough air to ignite the hot coals. There is no need to blow on the coals or leave the door ajar, saving time and increasing safety.

For best results dry, seasoned wood is required when using the GreenStart™ system. Using dry, seasoned wood also increases the efficiency of your wood insert while lowering creosote build-up on the glass and in the chimney.



Use your Smart Phone  
QR Reader to watch a video  
on the GreenStart™ Igniter

### Push A Button



### Start Your Fire



**30 Seconds**

Hot surface igniter blows 1,400 degree heated air into the firebox igniting the wood.



**6 Minutes**

Igniter shuts down and the blower continues to push air acting as a bellow to fan the fire.



**6 - 15 Minutes**

Blower continues to fan fire at various speeds to deliver proper draft in the chimney and a vigorous fire.

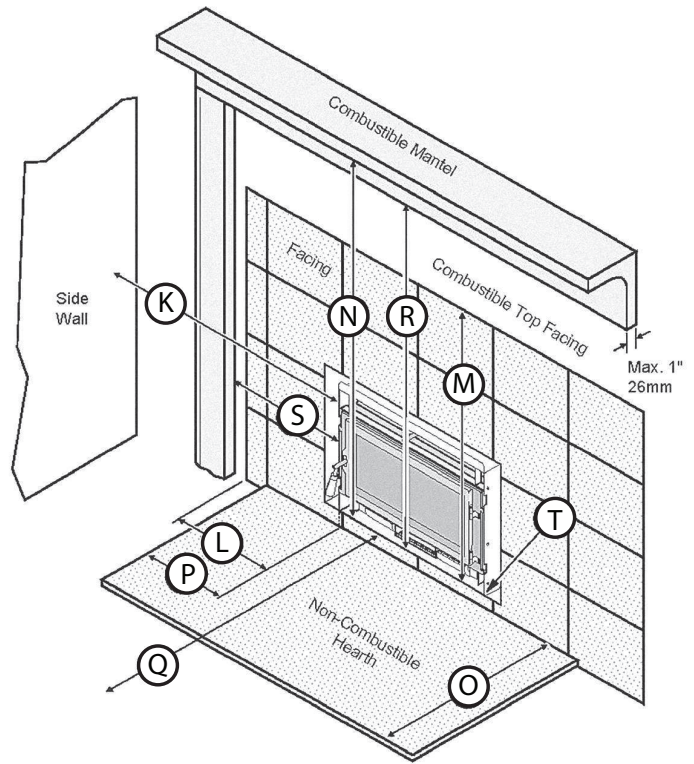
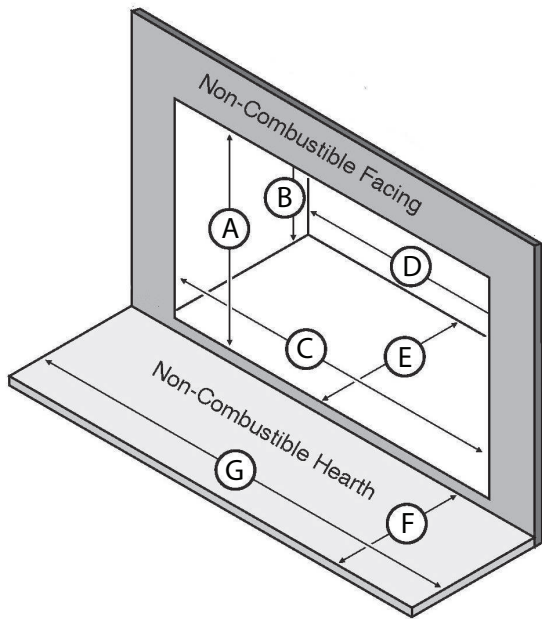


**15 Minutes**

Blower shuts down. Homeowner adjusts bypass damper and air controls to maintain fire.

# Installation Specifications

Always refer to the Owner's Manual for complete installation information.



## Minimum Fireplace Requirements

	Small Flush Wood	Flush Wood Plus	Large Flush Wood
A - Height (Front)	19" (483mm)	21-1/2" (546mm)	23-1/2" (597mm)
B - Height (Rear)	19" (483mm)	19-3/4" (502mm)	22" (559mm)
C - Width (Front)	27"* (686mm) <i>(includes 2" for power cord)</i>	30-7/8" (784mm)	33" (839mm) <i>(includes 2" for power cord)</i>
with GreenStart™ Igniter	34-3/4" (883mm) <i>5" deep from front opening</i>	36-7/8" (937mm), <i>3" from front opening</i>	40" (1016mm) <i>3" deep from front opening</i>
D - Width (Rear)	19-1/4" (486mm)	18-7/8" (479mm)(Masonry), 20-7/8" (530mm) (ZC)	20-3/4" (528mm)
E - Depth	14" (356mm)	17-3/4" (432mm) (Masonry), 18-3/4" (203mm)(ZC)	19" (483mm)
F - Hearth Depth*	17-1/2" (446mm) USA 19-1/2" (495mm) Canada	16" US(406mm), 18" CAN (547mm)	18" (458mm)
G - Hearth Width	40-3/4" (1036mm)	44-7/8" (1140mm)	47" (1093mm)

\* See Owner's Manual for complete hearth and R Value requirements

## Minimum Clearances to Combustibles

	Small Flush Wood	Flush Wood Plus	Large Flush Wood
K - Sidewall To Insert	11-5/8" (296mm)	9" (229mm)	10-1/2" (267mm)
L - Side To Facing	6-1/4" (159mm)	9" (229mm)	5-1/2" (140mm)
M - Top Facing	37-1/2" (953mm)	39" (991mm)	37" (940mm)
N - Mantle	37-1/2" (953mm)	41-1/2" (1080mm)	41" (1042mm)
O - Hearth Side*	8" (204mm)	8" (203mm)	8" (204mm)
P - Hearth Depth*	16" (406mm) USA 18" (458mm) Canada	16" US(406mm), 18" CAN (547mm)	18" (458mm)
R - Mantel Breastplate	37-1/2" (953mm)		37" (940mm)
S - Mantel Column	6-1/8" (156mm)		5-1/2" (140mm)
T - Extension on Hearth	1-1/2" (39mm)		0"
Q - Any Room Combustible	36" (915mm)		36" (915mm)

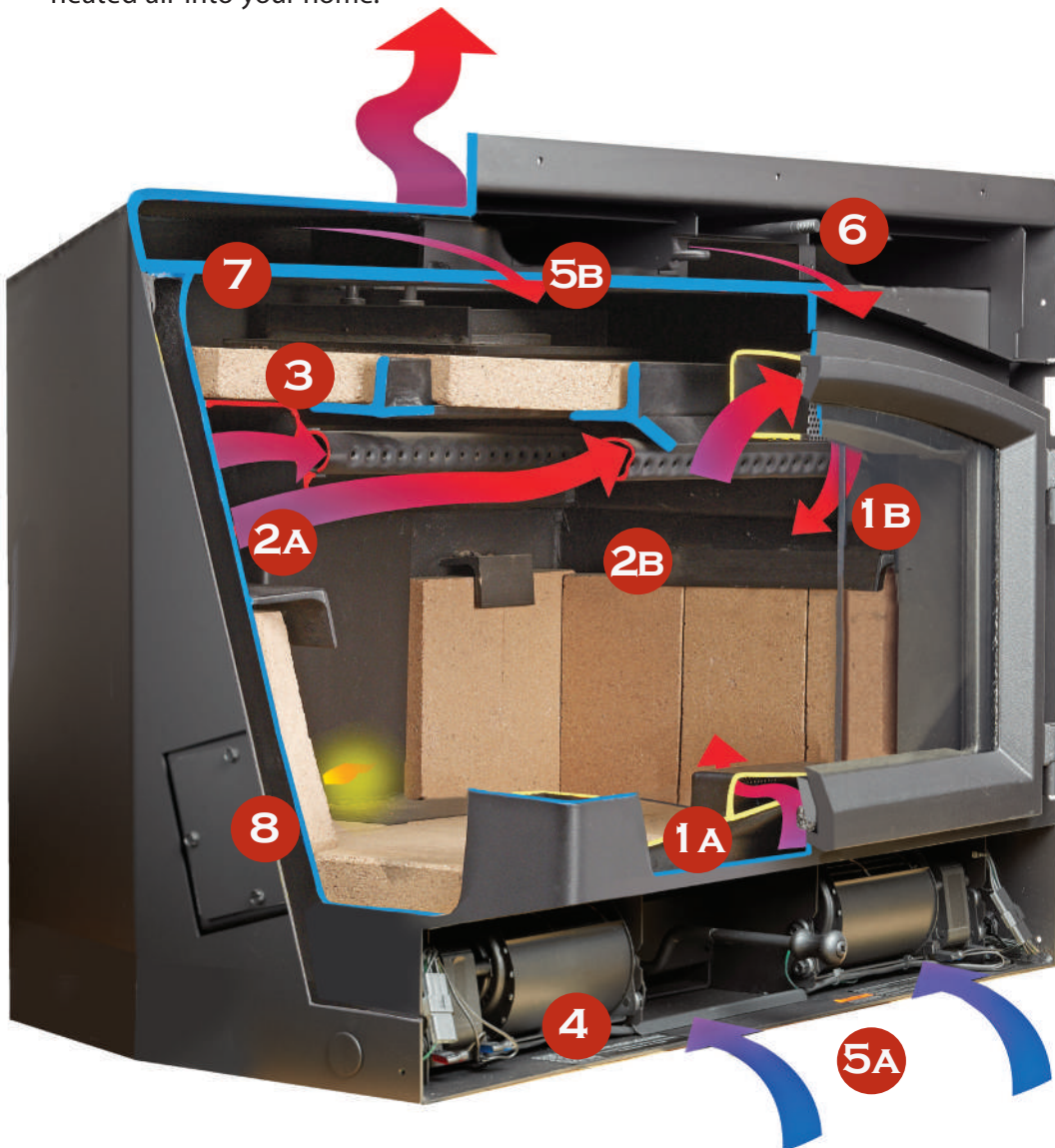
\* See Owner's Manual for complete hearth clearances

**Testing** Tested and certified by Intertek Laboratories Inc . Safety Tested to U. L. 1482 and ULC S628-1993

# How Our High Performance Medium Wood Insert Works

Our Medium Wood Insert features heavy gauge steel construction and a secondary combustion system with stainless steel air tubes that creates a highly efficient, clean burn and produces a big, beautiful fire. A high performance convection chamber then circulates and distributes the heat throughout your home for a gentle, even warmth.

- 1 Pre-heated air wash cleans the glass like a self-cleaning oven; (1A) a steady stream of fresh air enters the insert, gets hot as it is drawn up the heated internal air chamber, and (1B) then travels through a screened airwash which diffuses and evenly distributes air across the glass, keeping smoke and ash particles away.
- 2 Pre-heated secondary combustion air (2A) is delivered to the stainless steel secondary combustion tubes, (2B) which introduces oxygen to the firebox and promotes re-burn of most of the smoke and gases that would otherwise line your flue as creosote and exit your chimney as smoke.
- 3 The heavy-duty masonry baffle holds and radiates heat back into the firebox for more efficient and complete combustion.
- 4 The standard, dual 90 CFM fans speed up the circulation of convective heat throughout your home and is ideal for quicker, more efficient heating in larger homes with high ceilings, and homes with an open floor plan.
- 5 The convection chamber naturally draws cold room air (5A) in at the bottom of the unit, circulates it around the insert and (5B) returns it to the room as heated air. As the insert heats up air flow actually increases, delivering more heated air into your home.

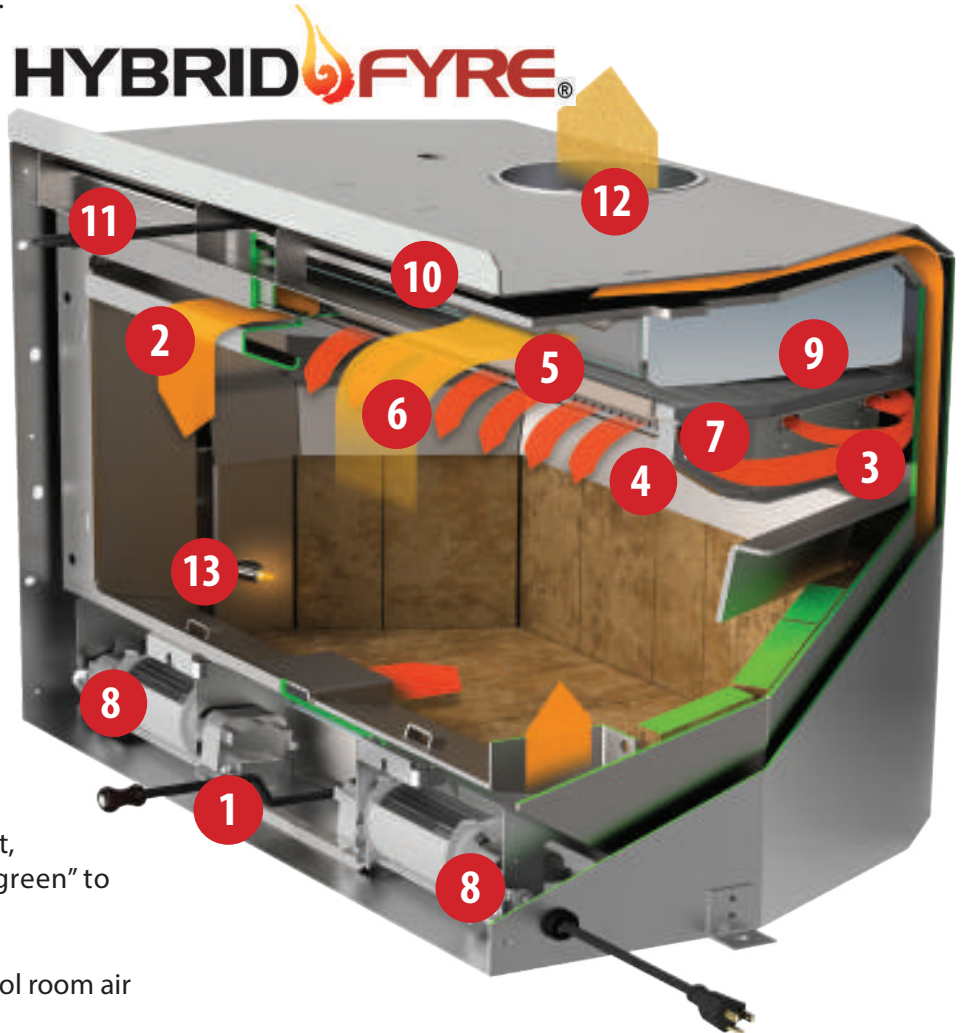


- 6 All models feature a bypass damper which temporarily re-routes smoke behind the masonry baffle when engaged. The bypass assists faster fire start-up as well as preventing smoke from escaping through the door when loading wood.
- 7 FireplaceX® inserts feature a large capacity convection chamber which enhances the heat transfer by gently circulating heated air to adjoining rooms, while still offering radiant heat that warms the room and the objects in it.
- 8 Add the optional GreenStart™ igniter system which makes the startup process as easy as the push of a button.

# How Our Hybrid-Fire Wood Inserts Work

Our Small and Large Wood Inserts feature the cleanest burning wood technology in the world, Hybrid-Fyre®. This award-winning technology combines the strengths of both catalytic and non-catalytic technologies to create an advanced combustion system that allows you to efficiently burn less wood for longer periods of time.

- 1 The air control regulates the burn rate and routes air into the firebox for the primary combustion air (which helps to start the fire).
- 2 The warm air is then routed through the air wash channel and over the glass to keep the glass clean, decreasing maintenance and adding convenience.
- 3 The combustion air is drawn into the preheated chamber converting cold, incoming air into warm combustion air.
- 4 The secondary air manifold continues to route the air into the secondary air tubes which takes the air to the secondary combustion zone.
- 5 The baffle then slows down the flow of any remaining volatile gases.
- 6 In this area, any particles are super-heated and ignited.
- 7 Any remaining volatile gases and particulates then enter the catalytic combustor. The catalytic combustor is designed to burn any remaining pollutants, leaving the exhaust virtually smoke-free. This process dramatically reduces emissions and carbon monoxide output, making our Hybrid-Fyre® Inserts very "green" to own and operate.
- 8 The standard, twin 90 CFM fans pull cool room air through the insert.
- 9 This air is drawn through the convection chamber where it pulls heat off of the firebox.
- 10 Hot air is then expelled from the top convection chamber through a large, cast iron heat sink. This greatly improves both the heat transfer efficiency and heating capacity of the insert.
- 11 A bypass damper is featured on the Flush Wood Inserts, allowing for easy, smoke-free startups.
- 12 Both inserts come with a 6" flue with an internal attachment for convenient installation.
- 13 The optional GreenStart™ igniter system makes the startup process as easy as the push of a button.



Only the most professional specialty hearth retailers are selected to sell FireplaceX® stoves, inserts and fireplaces. They represent our total commitment to exceptional products and excellent service. In addition, they have successfully completed special training programs in the proper selection, installation, and service of all FireplaceX® products.

Your professional FireplaceX® hearth dealers are experts who can advise you on everything from customizing the color of your appliance to selecting appropriate venting and chimney materials. They can show you FireplaceX® models on display, including working models actually burning.



FireplaceX® produces a wide variety of quality wood and gas hearth appliances.  
Find your favorite fire today by visiting: USA [www.FireplaceX.com](http://www.FireplaceX.com)

## Child Protection

Children, like most of us are fascinated by fire and for families with young children, fireplaces pose a potential safety hazard. Take the time to educate young children about the dangers of fire and the hot surface temperatures of glass and metal surrounding the wood burning appliance. If you have an infant or toddler consider installing a firescreen; make sure it's tall enough so that children can't climb over it, and that it's placed far enough away so that reaching arms can't touch the surfaces of the fireplace. A few precautions such as these will allow everyone in your home to safely enjoy the comfort and warmth of your new insert.



## 7-Year "Real World" Warranty

Our 7-Year Warranty offers more protection on key components than the so-called "Limited Lifetime" warranties of our competitors.

YEARS 1-2: All parts and labor on your wood burning appliance, including blower and one-way freight allowance.

YEARS 3-5: All parts and labor on the firebox, door assembly, air control assemblies and one-way freight allowance.

YEARS 6-7: Parts only on firebox, door and air control assemblies

FireplaceX® builds inserts to last a lifetime. We'll stand behind the quality and performance of our products year after year because that's the way we do business –and you don't have to read the fine print for your peace of mind.



Manufactured in  
Mukilteo, WA

FireplaceX® Fireplaces, Stoves and Inserts are protected by one or more of the following patents; U.S. 9,170,025, 4,665,889 as well as other U.S. and Foreign Patents pending. Hybrid-Fyre™ and all other trademarks belong to Travis Industries, inc. Consult the Owner's Manual for complete installation requirements. Travis Wood Burning Fireplaces, Stoves and Inserts are protected by one or more of the following patents; U.S. 9,170,025, 4,665,889 as well as other U.S. and Foreign Patents pending. We reserve the right to improve our product at any time without prior notification • Photos and illustrations are for descriptive purposes only • Copyright © 08/2016 #98800725