



# Andirons

(see part numbers below)

## Large Andiron (Compatible with 864 TRV, 864 HH, 864 ST, 36 CF A/R, 1080 CF)

Arabesque 98500633



Colonial 98500631



Wrought Iron 98500632



## Small Andiron (Compatible with 564 SS)

Lodge Ring 96700641



Traditional Ring 96700642



Traditional Urn 96700643



### Packing List:

- (2) Andirons
- (2) Mounting Brackets
- (2) ¼-20 Screws
- 5/32" Hex Wrench
- (4) ¼" Washers (Lodge Ring Only)



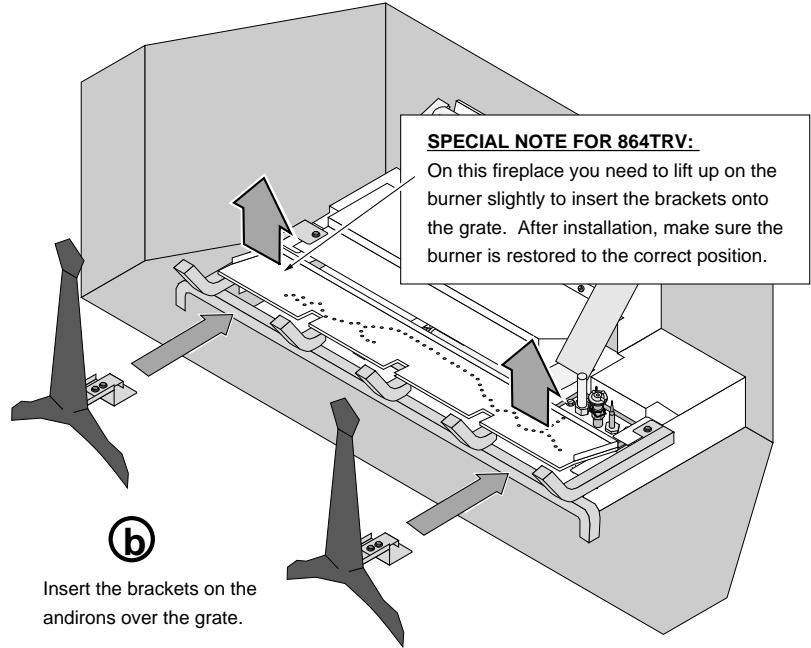
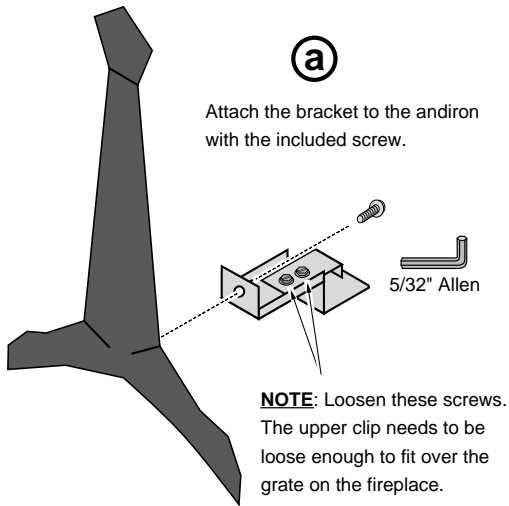
# Andirons

(see part numbers below)

## 864 TRV, 864 HH, 36 CF A/R, and 564 SS Installation

**NOTE:** Install the andirons last, after the firebacks (if used) and logs are in place.

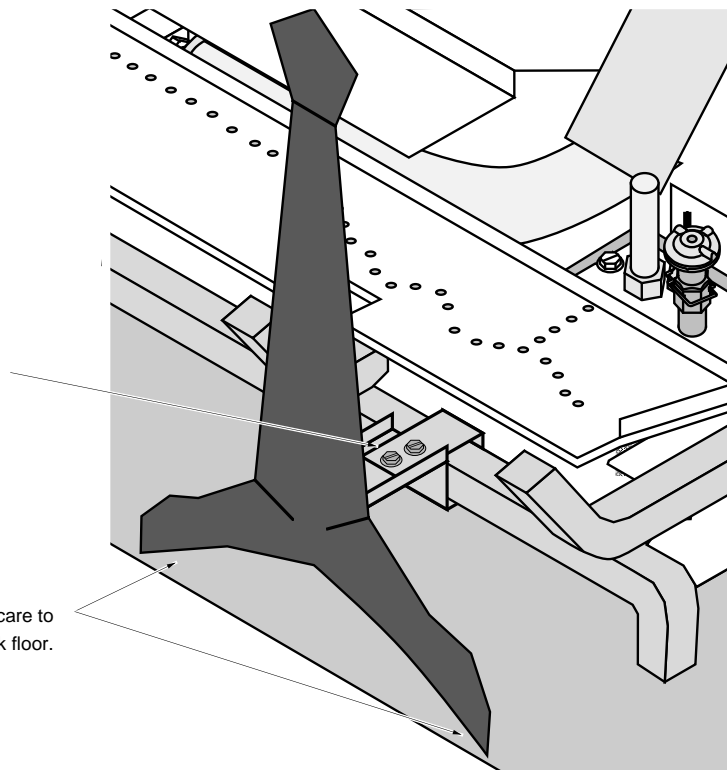
**NOTE:** On the 864 HH the front twigs may need to be re-positioned to the side of the andirons or on the floor of the firebox (do not place twigs on top of the burner near the burner holes).



**(c)**

Align the andirons so they are evenly spaced and tighten these screws on the brackets to clamp the andirons to the grate.

If necessary, bend the bracket so the andiron points straight up.





# Andirons

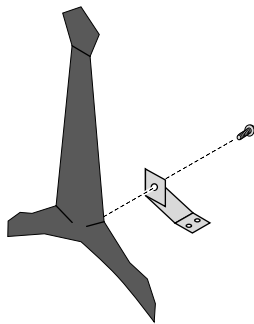
(see part numbers below)

## 1080 CF Fireplace Installation

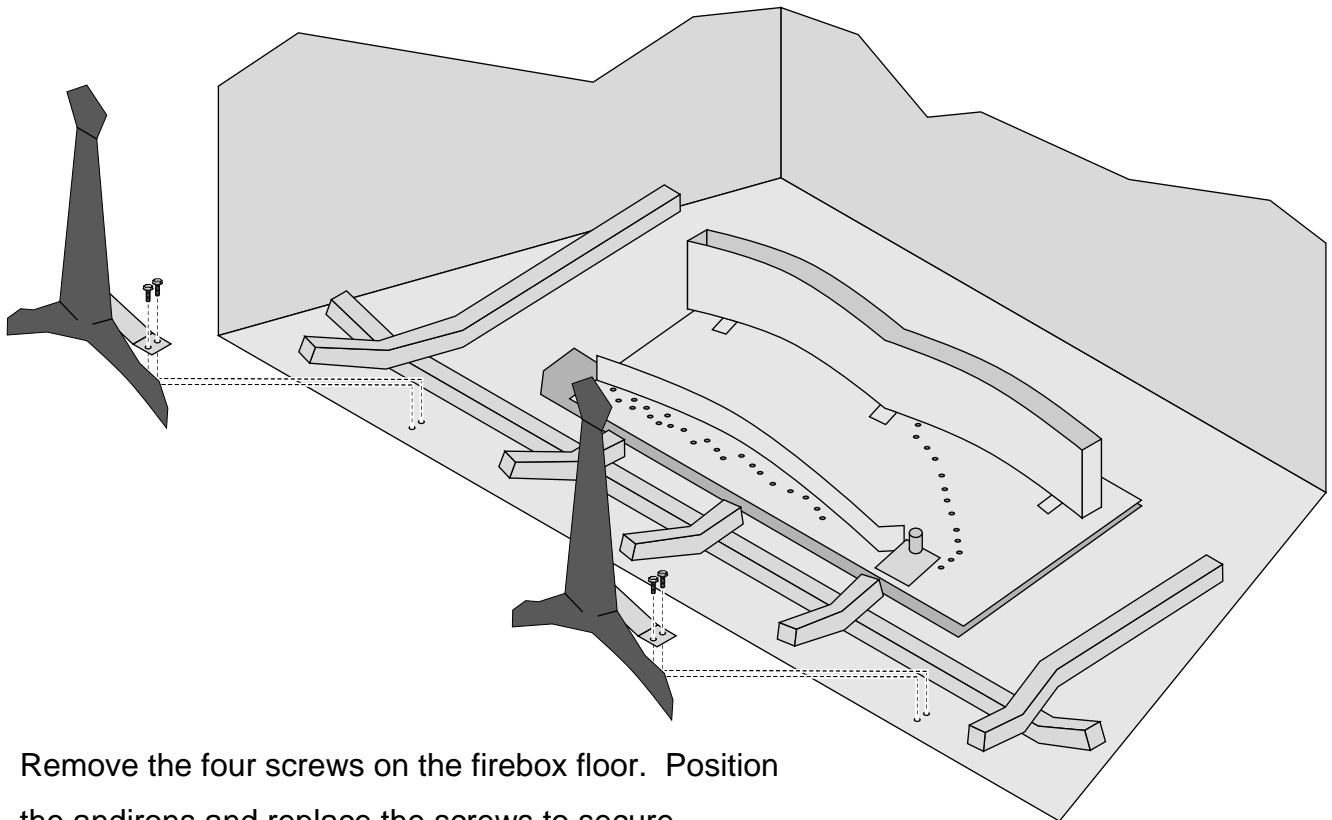
Two clips are included with the fireplace for installation of the andirons. The brackets included with this kit may be discarded.



Install the andirons last, after the firebacks (if used), and logs are in place.



Use the two screws (included with the andirons) to secure the andiron brackets (included with the fireplace) to the andirons.



Remove the four screws on the firebox floor. Position the andirons and replace the screws to secure.



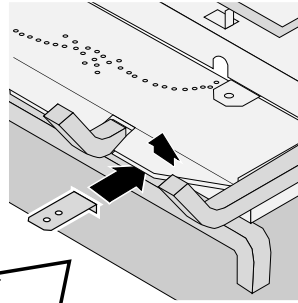
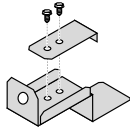
# Andirons

(see part numbers below)

## 864 ST Installation

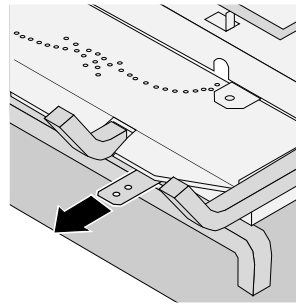
Install the andirons after installing all other optional equipment (firebacks, accent light, etc) but before installing the logs.

- a** Disassemble one of the andiron brackets.



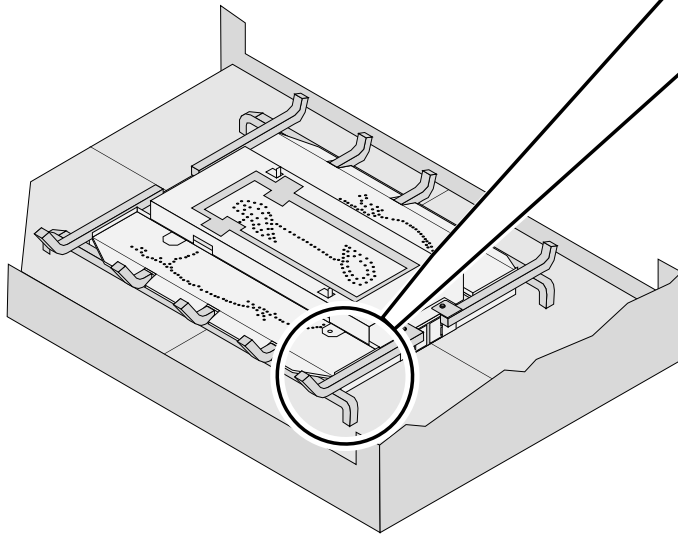
**b**

Lift up on the burner and slide the upper portion of the bracket into the gap between the burner and grate.



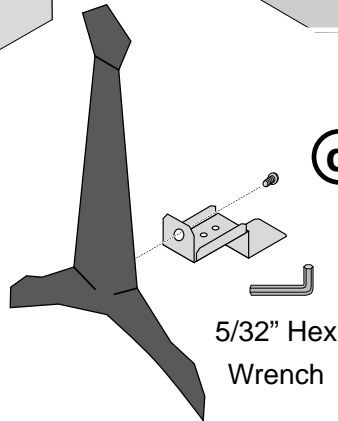
**c**

Pull on the bracket so it is all the way forward.



**d**

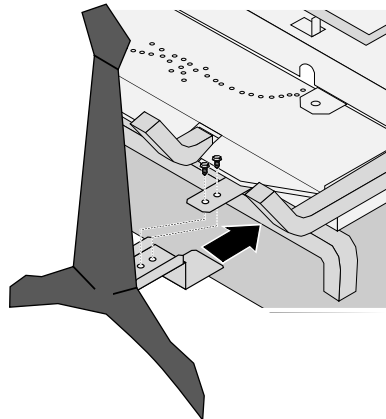
Attach the andiron to the lower portion of the bracket with the included screw (use the included 5/32" hex wrench).



5/32" Hex  
Wrench

**e**

Attach the andiron (with bracket) to the bracket on the fireplace using the screws removed in step "a". You may need to bend the bracket slightly to allow the andirons to stand vertically.



**f**

Repeat steps "a" through "e" for the opposite side.

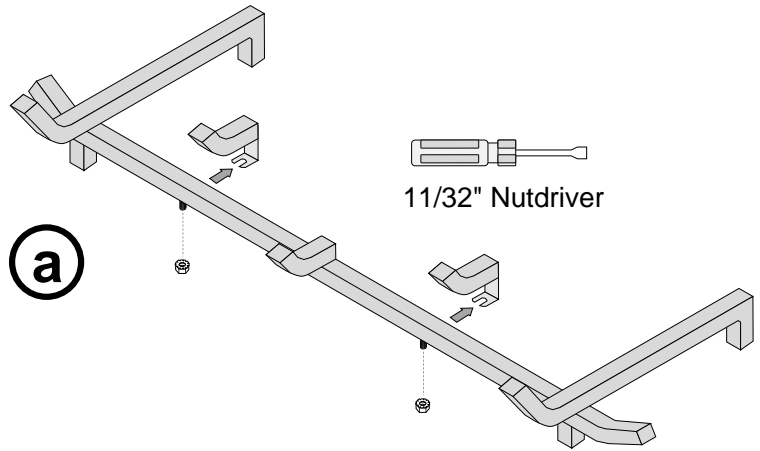


# Andirons

(see part numbers below)

## 864 HO and 564 HO Installation

Install the andirons after installing all other optional equipment (firebacks, accent light, etc) but before installing the logs. The andiron clips are included with the burner (**do not use the clips included with the kit**).



### Special Instructions for 564 Lodge Ring Andiron

The Lodge Ring andiron kit includes four washers and longer screws. Install the andiron to the clip as shown below.

