



# GREENSMART® GAS FIREPLACES



# Avalon® GreenSmart® Gas Fireplaces



## Convenient Heat, Beautiful Flame

Known for our attention to design and craftsmanship, Avalon® fireplaces are crafted for performance and beauty. All Greensmart® fireplaces feature the innovative and award-winning technology that adds flexibility, convenience and energy efficiency to your home. Without a doubt, our advancements in burner technology produce the most beautiful and realistic gas fires ever designed.

## Designed For Your Lifestyle

As America's premier builder of custom hearth products for over three decades, Avalon® has adapted a number of traditional and regional designs into today's fireplaces. These timeless designs offer you a diversity of American architecture to choose from when customizing your fireplace.

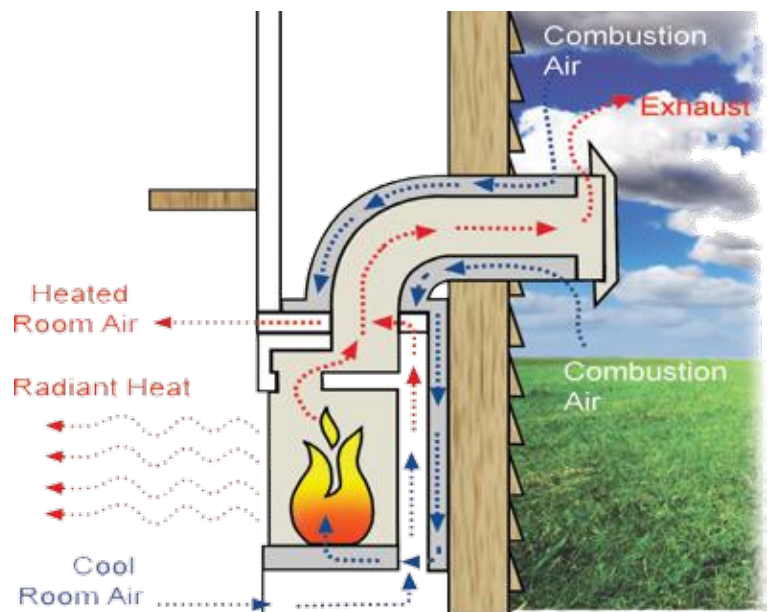
Avalon® fireplaces are available in a range of sizes for small, medium and large homes. You can also use a fireplace to zone heat a portion of your home, which is a popular and economical way to use your Avalon® fireplace.

If you love the look and ambiance of a wood fire but do not have the time or desire to handle wood, consider one of the beautiful, high efficiency heater rated gas burning fireplaces from Avalon®.

## We Only Make Direct Vent Gas Fireplaces

All Avalon® gas appliances feature only the safest and most efficient type of gas venting, the Direct Vent System.

The Direct Vent System draws outside air into a SEALED firebox for combustion, and vents the by-products of that combustion outside, which helps maintain indoor air quality. This safe, sealed system is the only gas venting system we use on all Avalon® gas products.



# Face and Andiron Options

## Our Medium and Large Gas Fireplaces Offer a Selection of Different Faces, Firebacks and Andirons to Finish the Look of Your Fireplace

Both the 564 and 864 fireplaces offer a variety of beautiful faces, firebacks and andirons to choose from. These high-quality and durable options can be updated and changed as your decorating taste changes over time.

### Basic Grill Set



The Basic Grill comes with a black painted glass frame.

#### Face Dimensions

**564** – 25-1/4" W x 30-1/4" H

**864** – 42" W x 36-3/4" H

### Victorian Lace™ Face



The Victorian Lace face comes in a black paint finish and features a finely detail grill pattern. *(Limited to stock on hand)*

#### Face Dimensions

**564** – 32-3/8" W x 27-1/2" H

**864** – 36-7/8" W x 34" H

### Cast Andirons- Optional

Stylize the interior of your fireplace with one of these beautifully designed andiron sets.

#### For the 564



Traditional Urn



Lodge Ring

#### For the 864



Wrought Iron



Arabesque



*564 SS shown with Basic Grill Set  
and Common Brick Fireback*

**SEE VIDEO**  
of this product burning



Web address:  
[vimeo.com/17605037](https://vimeo.com/17605037)

# 564 Space Saver™ GreenSmart®



The 564 Space Saver™ is designed to provide comfortable warmth to bedrooms, dens and other intimate rooms in your home that do not require a great deal of heat. Offering consistent radiant and convective heat along with reduced firebox dimensions, this fireplace allows for more installation opportunities. The 564 Space Saver™ features the Dancing-Fyre™ burner with realistic logs and glowing embers, and standard interior accent lights allow you to showcase a beautiful fire display all year-round, even when the heat is off.

## Specifications

Heating Capacity:	Up to 950 Square Feet
Maximum BTU/HR Input:	20,500 (NG/LP)
Minimum BTU/HR Input:	5,100 (NG) 4,200 (LP)
Steady State Efficiency (High):	Up to 81.09% (NG), 84.06% (LP)
P4 Canadian Efficiency:	67.70% (NG), 70.11% (LP)
Glass Area:	31-3/8" W x 18-1/8" H (564 sq. in.)

## Options

- Wall Thermostat
- Basic Remote Control
- GreenSmart® Remote Control (NG/LP)
- On/Off Timer
- 180 CFM Convection Fan

## Features

- Low visibility ANSI approved glass safety screen.
- Split-flow Dancing-Fyre™ burner with high definition logs and embers for realistic flame.
- 8" top or rear vent option.
- Accent Light

## Fireback Selections

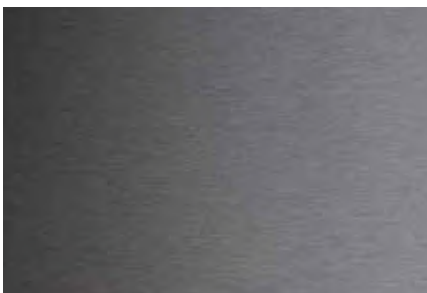
564 models ship with a black painted interior and have the option of adding one of these firebacks to enhance the beauty of the fire and log set.



Reversible Common Brick/Herringbone Brick



Handmade Brick



Stainless Steel  
Finish will patina with age.



Black Enamel



*564 HO shown with Diamond-Fyre™ Burner, Victorian Lace Face, Black Enamel Fireback, Driftwood Fire Art™ and Platinum Glass Media*

## Specifications

Heating Capacity:	Up to 1,400 Square Feet
Maximum BTU/HR Input:	35,000 (NG/LP)
Minimum BTU/HR Input:	10,400 (NG) 7,500 (LP)
Steady State Efficiency (High):	Up To 78.10% (NG), 79.69% (LP)
P4 Canadian Efficiency:	64.18% (NG), 66.02% (LP)
Basic Face Dimensions:	32-1/2" W x 27-5/8"
Glass Area:	31-3/8" W x 18-1/8" H (564 sq. in.)

SEE VIDEO  
of this product burning



Web address:  
[vimeo.com/28206014](https://vimeo.com/28206014)

# 564 High Output™ GreenSmart® with Remote



The 564 High Output™ fireplace offers the same viewing area as the 564 Space Saver™, but with high heat transfer neo-ceramic glass, choice of three burners and is designed to heat a larger area – up to 1,400 square feet. With a 35,000 BTU input and standard fans this fireplace delivers the heat! This high output fireplace uses “film cooling” technology allowing for close clearances to combustibles, letting you install the mantel close to the fireplace in a traditional location. For added convenience the 564 High Output™ includes the GreenSmart® Remote Control. You can heat your family’s main living area or duct up to 30% of the heat to adjoining room(s) 20 feet away using the optional Power Heat Duct Kit; one or two kits can be used.

## Interiors – Pick The Look That You Like!

### Ember-Fyre™

The Award-Winning Ember-Fyre® burner comes standard with a seven piece high definition log set and grate. This burner allows for a choice of different firebacks.

### Diamond-Fyre™

The contemporary Diamond-Fyre™ burner offers the choice of the Fyre-Stone™ Rock Kit or Driftwood Fire Art™ instead of the traditional log set. You also have the choice of the Black Painted, Stainless Steel or a luscious Black Enamel Fireback to complete the look.

### Dancing-Fyre™

The classic Dancing-Fyre™ burner comes standard with a five piece high definition log set, grate and the black painted fireback.



Ember-Fyre™ Log Set



Fyre-Stone™ Rock Kit



Driftwood Fire Art™



Classic Log Set

## Fireback Selections

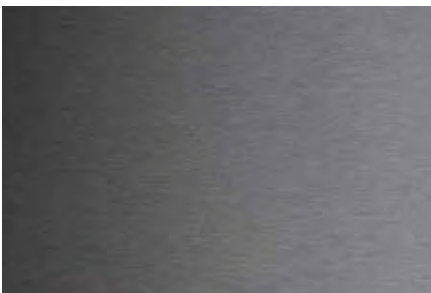
564 models ship with a black painted interior and have the option of adding one of these firebacks to enhance the beauty of the fire and log set.



Reversible Common Brick/Herringbone Brick



Handmade Brick



Stainless Steel

Finish will patina with age.



Black Enamel



*864 TRV shown with  
Victorian Lace Face and  
Common Brick Fireback*

**SEE VIDEO**  
of this product burning



Web address:  
[vimeo.com/17605715](https://vimeo.com/17605715)



# 864 TRV – Top Vent/Rear Vent GreenSmart®



The 864 TRV is the perfect choice for anyone looking to display a big, beautiful fire without the need to heat a large area. This fireplace offers the ultimate heating flexibility, allowing you to control the heat output to a comfortable setting that is just right for you. The 864 TRV can provide great supplemental heat to your home on those cold winter nights, or you can use the Comfort Control™ to turn the heat down and create a romantic, relaxing fireside for those warmer nights. The 864 TRV fireplace features a beautiful high definition log set with glowing embers and is enhanced further with rear accent lights that add a warming glow to the interior of the fireplace, even when the fire is off. The 864 TRV truly is a fireplace that can be used 365 days a year.

## Specifications

Heating Capacity:	Up to 1,400 Square Feet
Maximum BTU/HR Input:	31,000 (NG/LP)
Minimum BTU/HR Input:	10,000 (NG) 8,000 (LP)
Steady State Efficiency (High):	Up To 80.38% (NG), 82.21% (LP)
P4 Canadian Efficiency:	68.36% (NG), 67.79% (LP)
Basic Face Dimensions:	32-1/2" W x 27-5/8" H
Glass Area:	36" W x 24" H (864 sq. in.)

## Options

- Wall Thermostat
- Basic Remote
- GreenSmart® Remote Control NG & LP
- On/Off Timer
- 180 CFM Convection Fan
- Power Heat Duct Kit

## Features

- Low visibility ANSI approved glass safety screen.
- Split-Flow Dancing-Fyre™ burner with high definition logs and embers for realistic flame.
- 8" top or rear vent options.
- Accent Light

## Fireback Selections

864 models ship with a black painted interior and have the option of adding one of these firebacks to enhance the beauty of the fire and log set.



Reversible Common Brick/Herringbone Brick



Handmade Brick



Reclaimed Brick



Black Enamel



*864 ST shown with  
Basic Grill Set, and  
Black Enamel Fireback*

**SEE VIDEO**  
of this product burning



Web address:  
[vimeo.com/23510464](https://vimeo.com/23510464)

# 864 See-Thru GreenSmart® with Remote



The 864 See-Thru depicts tranquility with a perfect balance between its firebox, logs and flames. The logs and fire have been carefully designed to give you a different look from either side. Compare the amazing high definition, eight piece log set with any other see-thru fireplace on the market! The 864 See-Thru fireplace showcases a warm, yellow fire with glowing embers that your friends and family will have a hard time telling apart from a real wood fire.

With two sides to the 864 See-Thru Fireplace you have the ability to personalize each room using a different face on each side of the fireplace. Choose from the Basic Grill Set in black or pick one of the beautiful upgradable faces.

## Specifications

Heating Capacity:	Up to 1,500 Square Feet
Maximum BTU/HR Input:	37,500 (NG/LP)
Minimum BTU/HR Input:	14,700 (NG) 10,000 (LP)
Steady State Efficiency (High):	Up To 83.07% (NG), 85.92% (LP)
P4 Canadian Efficiency:	70.77% (NG), 70.71% (LP)
Basic Face Dimensions:	36-3/4" W x 34-1/8" H
Glass Area:	36" W x 24" H (864 sq. in.)

## Options

- Wall Thermostat
- Basic Remote
- GreenSmart® Remote NG& LP
- On/Off Timer
- Power Heat Duct Kit
- Convection Fan 130 CFM

## Features

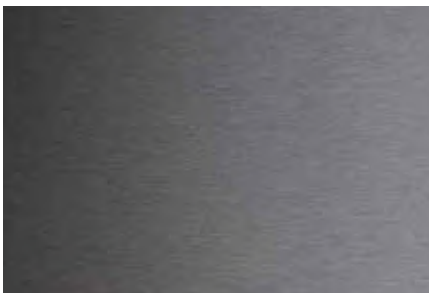
- Low visibility ANSI approved glass safety screen.
- Split-flow Dancing-Fyre™ burner for realistic flame.
- 8 piece log set – different look from either side.
- 8" top or side vent options.
- Accent Lights
- No hearth required.

## Fireback Selections

864 models ship with a black painted interior and have the option of adding one of these firebacks to enhance the beauty of the fire and log set.



Reversible – Straight or Herringbone Brick



Stainless Steel  
Finish will patina with age.



Black Enamel



*864 HO shown with  
Ember-Fyre® Burner,  
Victorian Lace™ Face and  
Herringbone Brick Fireback.*

**SEE VIDEO**  
of this product burning



Web address:  
[vimeo.com/14197621](https://vimeo.com/14197621)

# 864 High Output GreenSmart® with Remote



The 864 High Output™ fireplace offers the same viewing area as the 864 TRV, and is designed to heat a larger area – up to 2,500 square feet. The Award-Winning Ember-Fyre™ burner comes standard with a seven piece high definition log set and grate. A fireback is required and this burner allows for a choice of seven different options. With a 46,700 BTU input, high-heat transfer neo-ceramic glass and fan, all standard, this fireplace delivers the heat! This high output fireplace uses “film cooling” technology allowing for close clearances to combustibles, letting you install the mantel close to the fireplace in a traditional location. For ease of operation and convenience the 864 High Output™ fireplace includes the GreenSmart® Remote Control. You can heat your family’s main living area or duct up to 30% of the heat to adjoining room(s) 20 feet away using the optional Power Heat Duct Kit, one or two kits can be used.

## Specifications

Heating Capacity:	Up to 2,500 Square Feet
Maximum BTU/HR Input:	46,700 (NG/LP)
Minimum BTU/HR Input:	12,500 (NG) 9,000 (LP)
Steady State Efficiency (High):	Up To 82.13% (NG), 83.25% (LP)
P4 Canadian Efficiency:	71.57% (NG), 72.22% (LP)
Basic Face Dimensions:	36-3/4" W x 34-1/8" H
Glass Area:	36" W x 24" H (864 sq. in.)

## Features

- Split-Flow Dancing-Fyre™ burner with high definition logs and embers for realistic flame.
- Low visibility ANSI approved glass safety screen.
- Fully loaded GreenSmart® system.
- 8" top or rear vent installation options.
- Accent Lights
- Two 130 CFM Convection Fans.
- Wall Mounted GreenSmart® Remote Control.
- Power Heat Duct Kit – up to two can be used

## Fireback Selections

864 models ship with a black painted interior and have the option of adding one of these firebacks to enhance the beauty of the fire and log set.



Reversible Common Brick/Herringbone Brick



Handmade Brick



Reclaimed Brick



Black Enamel

# GREEN SMART® All fireplaces come standard with these great GreenSmart® features:

## Comfort Control™

The Comfort Control™ switch operates the split-flow burner system on all models. Push the button to OFF and your Comfort Control™ will turn off the rear burner while leaving the front burner on for an attractive flame appearance when less heat is desired. This feature offers a turn-down ratio of up to 75 percent. Push the button to ON and the rear burner will light, giving you maximum heat when you need it. This offers you the most beautiful fire and more heating flexibility to keep you comfortable year-round.

## Accent Lights

Accent Light(s) are a standard feature in all Avalon® fireplaces. This feature adds a warm glow to the interior of the firebox and can be used when the fire is on or off. Perfect as a night light or soft indirect light for the room, the Accent Light allows visual enhancement of your appliance 365 days a year.



Accent Light Off



Accent Light On

## Multi-Function Wireless Thermostat Remote Control (Optional on 564 SS & 864 TRV)

Functions of the Remote:

- Thermostat
- Flame Adjustment
- Fan Operation
- Accent Light Control
- Comfort Control™
- GreenSmart® /CPI Pilots



## Control Settings



### Flame Adjustment

Adjust the height/heat of the flame as you desire. 6 levels of flame height to choose from. Not used while in Smart Thermostat setting.



### Accent Lights

Create a warm glow to highlight the fireplace interior. Use year round to add ambiance. 6 levels to choose from.



### Convection Fans

Twin 90 CFM fans circulate room air around the firebox and delivers heated air into your home. 6 speeds to choose from.



### Comfort Control™

Turn off the back burner which lowers the BTU input. In this way you burn less gas on milder days when you want to enjoy a fire and not over heat your living area.



### Manual Setting

ON/OFF Fire and Fan stay where you manually set it.

### Thermostat Setting

Fireplace turns ON or OFF to maintain your desired home/room temperature.

### Smart Thermostat Setting

Fire height will adjust automatically (up or down or OFF) to better maintain your temperature setting. A greener way to heat.



Use your smart phone or iPad™ to watch a video of how this GreenSmart® remote works.

## GreenSmart® Split-Flow Burners

Avalon® burners are “two-stage”, allowing for the back burner to be turned on and off with your Comfort Control. Your fireplace will be equipped with either the Dancing-Fyre™, Ember-Fyre™ or Diamond-Fyre™ burner.



### Ember-Fyre™ Burner:

The Award-Winning Ember-Fyre™ burner is found in the 864 High Output models and as an option on the 564 High Output model. The Ember-Fyre™ is known for its gorgeous, dancing yellow-flame fire flickering around a high definition log set and glowing embers for the most realistic “wood-like” fire available.

### 564 HO Diamond-Fyre™ Burner:

The Diamond-Fyre™ Burner is an option in the 564 High Output Fireplace. This burner features under-lit glass and is available with either the Fyre-Stone™ Rock Kit or the Driftwood Fire Art™ for a beautiful, eclectic blend of media.



### Dancing-Fyre™ Burner:

The Dancing-Fyre™ is found in our 564 Space Saver™, 864 TRV and 864 See-Thru fireplaces and as an option on the 564 High Output™, and 864 High Output™ models. This burner features a high definition log set offering a beautiful fire and glowing ember effect.



Bronze Glass Media



Platinum Glass Media



Cobalt Glass Media



Driftwood Fire Art™

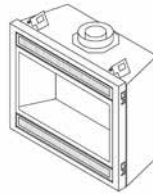


Fyre-Stone™ Rock Kit

# GreenSmart® Gas Fireplaces

The dimensions and clearances on this page are for reference only! Refer to the Owner's Manual prior to installation

\*Ember-Fyre™ Protected By U.S. Patent #6,602,068, #6,443,726 and other patents pending.



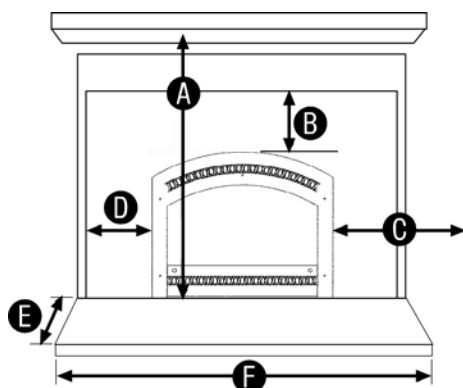
SPECIFICATIONS	564 Space Saver™	564 High Output™
Height (including standoffs)	33-1/4"	36-1/4"
Width	36-1/4"	36-1/4"
Depth	16-3/4"	18-1/4"
Flue Diameter	8" (Top Vent can be reduced to 6")	8" (Top Vent can be reduced to 6")
Unit Weight	0	165 lbs.
Burner System	155 lbs.	Ember-Fyre™, Dancing-Fyre™, Diamond-Fyre™
Glass Area (will vary with face design)	Dancing-Fyre™	30" W x 16-3/4" H.
Powerful Fan	30" W x 16-3/4" H.	YES – 180 CFM (Standard)
Power Duct Option	YES – 180 CFM	YES (Two)

PERFORMANCE*	*Gas appliance performance can be affected by negative pressure in the home and by prevailing atmospheric conditions. Efficiency may vary	
Heating Capacity*	Up to 950 Sq. Ft.	Up to 1,700 Sq. Ft.
BTU Input High/Output Low (NG)*	20,500 – 5,100 (75% Turndown)	35,000 – 10,400 (71% Turndown)
BTU Input High/Output Low (LP)*	20,500 – 4,200 (80% Turndown)	35,000 – 7,500 (79% Turndown)
Canada EnerGuide P4 Efficiency**	67.7% (NG) 70.11% (LP)	64.18% (NG) 66.02% (LP)
Steady State Efficiency (High) ***	81.09% (NG) 84.06% (LP)	78.1% (NG) 79.69% (LP)
AFUE (Annual Fuel Utilization Efficiency)	73.3% (NG) 73.4% (LP)	67.2% (NG) 65.7% (LP)

\*Heating Capacity will vary with floor plan and ceiling height, insulation and outside ambient temperature.

\*\* P4 Efficiency has been determined using CSA P4.1-09 \*\*\* Your results may vary depending on your vent configuration.

**COMBUSTIBLE CLEARANCES & FRAMING** Always consult the Owner's Manual before beginning any installation. Installation and framing information is a



- A= To Mantel
- B= To Top Facing
- C= To Sidewall
- D= To Side Facing
- E= Front Hearth
- F= Hearth Width

A = 35-3/4" (SS)* 38-1/2" (CF)* (measured from base of fireplace)	A = 40-3/4" to 48-3/4"* (measured from base of fireplace)
B = 0"	B = 0"
C = 1"	C = 12"
D = 0"	D = 0"
E = None Required	E = None Required
F = None Required	F = None Required
*0" to 12" maximum mantel depth. See Owner's manual for details	*0" to 12" maximum mantel depth. See Owner's manual for details
<b>MINIMUM FRAMING ENCLOSURE</b>	<b>MINIMUM FRAMING ENCLOSURE</b>
Height 33-1/2"	Height 36-3/4"
Width 36-1/2"	Width 36-1/2"
Depth 17-1/4"	Depth 17-3/4"

## TESTING & INSTALLATION INFORMATION

Tested and Listed by OMNI-Test Laboratories, Inc. and/or Intertek Testing Service to ANSI Z21.88b-2009 "Vented Gas-Fired Direct Fireplace Heater", CSA 2.33-2009, CGA 2.17-M91, UL 307b and CSA P.4.1-09. Must be installed in accordance with all local codes, if any; if not, follow ANSI Z223.1 and requirements listed in the Owner's Manual. The Diagrams, Dimensions and Specifications shown are subject to change without notice, consult the Installation Manual for complete details.



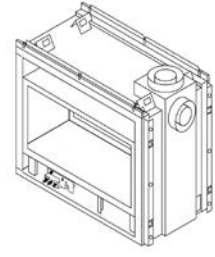
**864**  
TRV



**864**  
HO



**864**  
ST



864 Top/Rear Vent	864 High Output™	864 See-Thru
38-1/4"	47-3/4"	38-1/4"
41"	41"	41"
20-3/4"	22-1/4"	27"
8" Rear or 8" Top (Top Vent can be reduced to 6")	8" Rear or 8" Top (Top Vent can be reduced to 6")	8" (Top Vent can be reduced to 6")
181 lbs.		310 lbs.
Dancing-Fyre™	225 lbs.	Dancing-Fyre™
34-1/2" W x 22-1/4" H	Ember-Fyre™	Each side 34-1/2" W x 22-1/4" H
YES - 180 CFM (Optional)	34-1/2" W x 22-1/4" H	YES - 130 CFM (Optional)
YES (One)	YES - 260 CFM (Standard)	YES (One)
Depending on vent configuration and atmospheric conditions. <b>YES (Typ)</b> Contact local building or fire officials about restrictions and installation requirements in your area.		
Up to 1,400 Sq. Ft.	Up to 2,500 Sq. Ft.	Up to 1,500 Sq. Ft.
31,000 - 10,000 (68% Turndown)	46,700 - 12,500 (73% Turn Down)	37,500 - 14,700 (61% Turndown)
31,000 - 8,000 (75% Turndown)	46,700 - 9,000 (81% Turn Down)	37,500 - 10,000 (73% Turndown)
68.36% (NG) 67.79% (LP)	71.57% (NG) 72.2% (LP)	70.77% (NG) 70.71% (LP)
80.38% (NG) 81.21% (LP)	82.13% (NG) 83.25% (LP)	83.07% (NG) 85.92% (LP)
73.8% (NG) 73.5% (LP)	75.6% (NG) 75.7% (LP)	75.4% (NG) 72.9% (LP)
Available at your local Avalon® dealer or on our website at <a href="http://www.avalonfirestyles.com">www.avalonfirestyles.com</a>		
A = 40-3/4" to 48-3/4" (measured from base of fireplace)	A = 47-3/4" to 52-3/4"* (measured from base of fireplace)	A = 48-3/4" ** (measured from base of fireplace)
B = 0"	B = 7 3/4"	B = 0"
C = 1"	C = 5"	C = 3-1/4"
D = 0"	D = 0"	D = 2-1/8"
E = None Required	E = None Required	E = None Required
F = None Required	F = None Required	F = None Required
*Will vary depending mantel depth. 0" to 12" maximum mantel depth. See Owner's manual for details Note: Face plate designs vary in dim. MINIMUM FRAMING ENCLOSURE Height 38-1/2" Width 41-1/4" Depth 20-3/4"	*Will vary depending mantel depth. 0" to 12" maximum mantel depth. See Owner's manual for details Note: Face plate designs vary in dim. MINIMUM FRAMING ENCLOSURE Height 48" Width 41-1/4" Depth 22-3/4" TV 21-3/4" RV	*Will vary depending mantel depth. 0" to 12" maximum mantel depth. See Owner's manual for details Note: Face plate designs vary in dim. MINIMUM FRAMING ENCLOSURE Height 38-1/2" Width 44" Depth 27"

**NOTE: Improper installation of your gas appliance or failure to operate it in accordance to the guidelines detailed in the Owner's Manual may negate your warranty and endanger your home and family. Installation information is available on our website at [www.avalonfirestyles.com](http://www.avalonfirestyles.com).**

**We recommend all Avalon® appliances be installed and maintained on an annual basis by your Specialty Hearth Retailer.**

Avalon Gas Fireplaces are protected by one or more of the following patents; U.S. 8,469,021, 7,066,170, 6,602,068, 6,443,726, 6,953,037; Canada 2755517 as well as other U.S. and Foreign Patents pending.

# GreenSmart® Gas Fireplaces

## FRAMING

Always consult the Owner's Manual before beginning any installation. Installation and framing



INSTALLATION FRAMING  
GUIDE FOR ALL GAS  
FIREPLACES

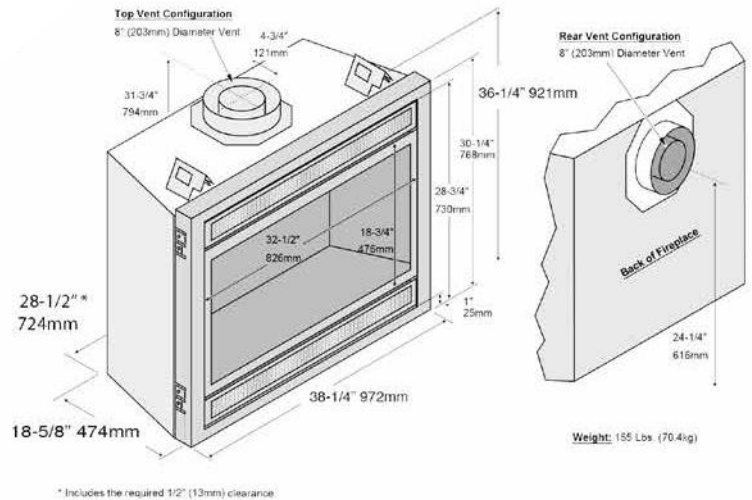
This framing guide is a basic reference. For a full installation and framing guide, scan the QR Code with your smart phone or tablet or refer to the Installation Manual.

Installation Manuals are available online at [www.avalonfirestyles.com](http://www.avalonfirestyles.com) under the "Documents" tab for each model.

### Avalon® Fireplace Venting

Avalon® provides economical minimum 8" rear vent (horizontal termination) kits for all of our gas fireplaces. For 564 SS, and 864 TRV, and ST: Sku 98900168. Includes 3.9" pipe, high wind scone cap, and exterior filler plate. For 564 HO: Sku 96200329. Includes 6" pipe, 90 degree elbow, wall thimble and high wind scone cap. For 864 HO: Sku 96200316. Includes 6" pipe, 45 degree elbow, wall thimble and high wind scone cap.

<b>564</b> SS	Front Width		Back Width	
	Unit	Framing	Unit	Framing
	36-1/4"	36-1/2"	28-1/2"	36-1/2"
	Height		Depth	
	Unit	Framing	Unit	Framing
	33-1/4"	38"	16-3/4"	17 1/4"



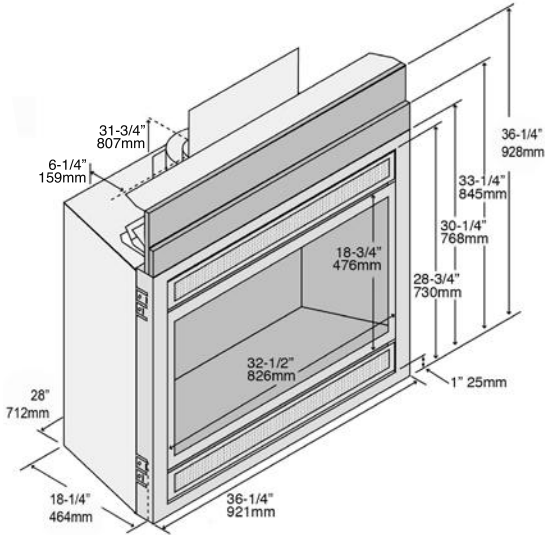
### Vent Heat To Other Rooms With The Power Heat Duct Kit

This venting option delivers heat off of the fireplace to additional zone(s) within your home. This allows you to quickly heat more of your home. At the time of framing determine where you want to direct the heated air – upstairs, downstairs or anywhere in your home within 20 feet of the fireplace. You have the option of adding one Power Heat Duct Kit on the 864 TRV and 864 See Thru or up to two on the 564 High Output and 864 High Output. The 564 Space Saver™ model does not have the option of adding the Power Heat Duct Kit.



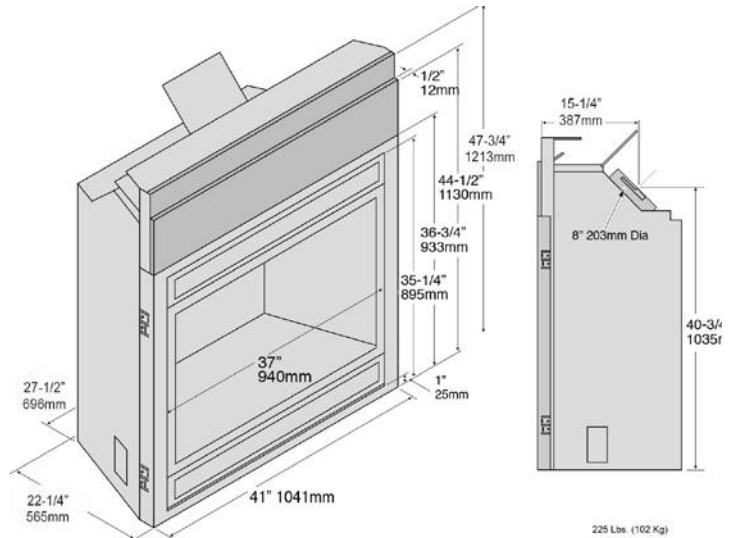
**564**  
HO

Front Width		Back Width	
Unit	Framing	Unit	Framing
36-1/4"	36-1/2"	28"	36-1/2"
Height		Depth	
Unit	Framing	Unit	Framing
36-1/4"	36-3/4"	18-1/4"	17 3/4"



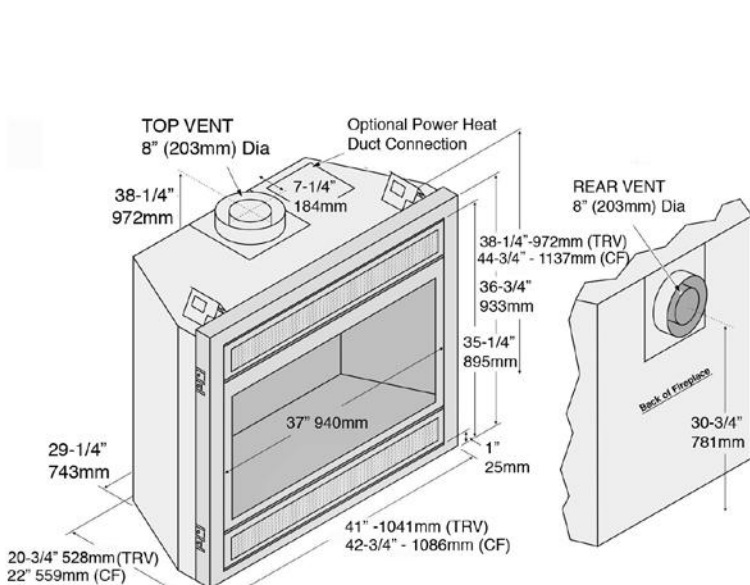
**864**  
HO

Front Width		Back Width	
Unit	Framing	Unit	Framing
41"	41-1/4"	27-1/2"	41-1/4"
Height		Depth	
Unit	Framing	Unit	Framing
47-3/4"	48"	22-1/4"	22-3/4"



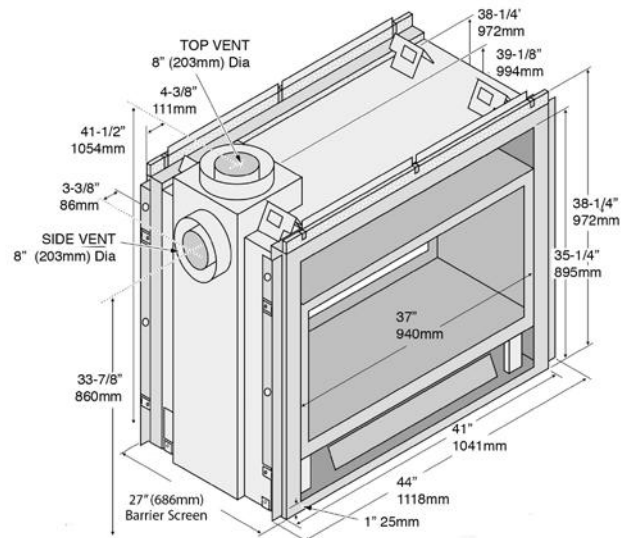
**864**  
TRV

Front Width		Back Width	
Unit	Framing	Unit	Framing
41"	41-1/4"	29-1/4"	41-1/4"
Height		Depth	
Unit	Framing	Unit	Framing
38-1/4"	38-1/2"	20-3/4"	20-3/4"



**864**  
ST

Front Width		Back Width	
Unit	Framing	Unit	Framing
44"	44"	44"	44"
Height		Depth	
Unit	Framing	Unit	Framing
38-1/4"	38-1/2"	27"	26"





*564 HO shown with  
Dancing-Fyre™ Burner,  
Basic Grill Set and  
Black Painted Fireback.*



## Relationships Matter

We want you to be happy — ecstatic even — with your new Avalon® gas fireplace. Each of our authorized dealers do as well. Avalon® dealers are chosen to present our products because of their commitment to you, the customer. They are trained to provide the best possible sales experience, assist you in selecting the right hearth appliance and provide proper installation to ensure flawless operation. When it comes time for installation and maintenance (definitely not do-it-yourself projects), our dealers will be happy to provide that service or put you in touch with certified specialists to ensure that the installation is not only safe, but provides the performance and results you expect from Avalon® products. Stop by your local Avalon® dealer today. There's a great relationship waiting to happen.

## ANSI Compliant Safety Screen

Avalon's gas fireplaces now come standard with ANSI-compliant glass safety screens. These screens are built directly onto the fireplaces and serve as a barrier that protects against accidental contact with hot glass surfaces, reducing potential for injury. These screens are practically invisible and are so discrete that they do not detract from the fire view in any way.





564 HO shown with  
Basic Grill face, Diamond-Fyre™  
Burner, Black Enamel Fireback  
and Fyre-Stone™ Rock Kit.

## Real World Warranty

Your gas fireplace is backed by a network of Specialty Hearth Dealers and certified factory trained installers. Avalon® warrants our gas fireplaces to be free from defect in material and workmanship for a period of seven years from the date of purchase.

Years 1 through 2: The firebox assembly, convection heat exchanger and electronics (except paint, gasket and accent light bulbs) – Parts and Labor.

Years 3 through 5: The firebox assembly and convection heat exchanger – Parts and Labor.

Years 6 through 7: The firebox assembly – Parts only. Trim and faces are covered for defect in material and workmanship for a period of two years. This is better than a “Limited Lifetime Warranty”, just compare!

## Add the Beauty of an Avalon® Gas Fireplace to Your Outdoor Living Space

Outdoor living rooms and entertainment spaces are among the most requested room additions found in new home construction and remodels. A fireplace is the perfect accompaniment to any outdoor living space, as it provides warmth and comfort on those cool nights, as well as creates a relaxing ambiance and fun gathering place.

All Avalon® gas fireplaces are approved for outdoor installation in a covered area. With our wide variety of fireplace styles, you'll be sure to find one that will complement your outdoor living space.

*\*Fireplace must be installed in a covered porch or protected by a roof overhang. Contact your local Avalon® dealer if you have any questions about installing an outdoor fireplace.*



## Design Your Perfect Fire

Customize the right fireplace insert for you by visiting our website at [www.avalonfirestyles.com](http://www.avalonfirestyles.com). The Avalon Fireplace Planner can help you customize your fireplace with an easy and fun website that helps you choose the right heating appliance for the right space and for the right look.



All Avalon® firestyles are proudly made in the U.S.A

## Avalon® Gas, Wood & Pellet Products

With the Avalon® product line all the elements come together: architectural styling, innovative technology and dedicated craftsmanship, offering you a dream-fulfilling heating solution for every part of your house. Avalon® manufactures steel and cast iron wood burning products, a steel and cast iron gas stove and insert line, a steel and cast iron pellet stove and insert collection and gas and electric fireplaces. We hope our products will bring enjoyment, warmth and many pleasant hours spent in front of an Avalon® of your choice.



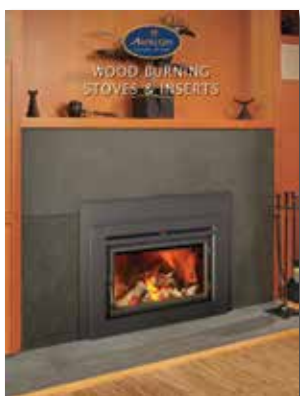
Gas Inserts Catalog



Radiant Plus Gas  
Insert Catalog



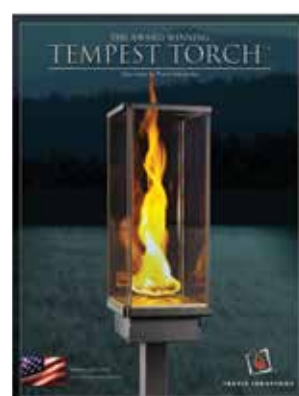
Gas Stove Catalog



Wood Burning  
Catalog



Pellet Burning  
Catalog



Tempest Gas  
Torch Catalog



[www.avalonfirestyle.com](http://www.avalonfirestyle.com)

Manufactured in Mukilteo, WA

We reserve the right to improve or change our products at any time without prior notification. – Please refer to the Owner's Installation Manual for complete installation requirements. Photos and illustrations are for descriptive purposes only. Avalon Gas Fireplaces are protected by one or more of the following patents; U.S. 8,469,021, 7,066,170, 6,602,068, 6,443,726, 6,953,037; Canada 2755517 as well as other U.S. and Foreign Patents pending.

Copyright ©04/2016 T. I.

#98800363