



# GAS FIREPLACE INSERTS





*34 DVL shown with the  
Universal Face and Straight  
Brick Fireback*

## **Unique As The Great Northwest From Which It Comes**

Avalon has been North America's premier builder of quality hearth products for over three decades. Our gas inserts are hand-built by expert craftsmen and women at our 11 acre facility in Mukilteo, Washington. State of the art technology and time-honored workmanship go into each of our inserts. We use the highest quality materials to make products designed to provide a lifetime of warmth and beauty. From the high quality steel construction, durable, high temperature Neo Ceramic glass and expert quality controlled assembly, our inserts are warranted to be free from defects in material and workmanship. We cover the construction of our inserts for a period of seven years from the date of purchase, and warrant all parts, electronics, and labor for a full two years.

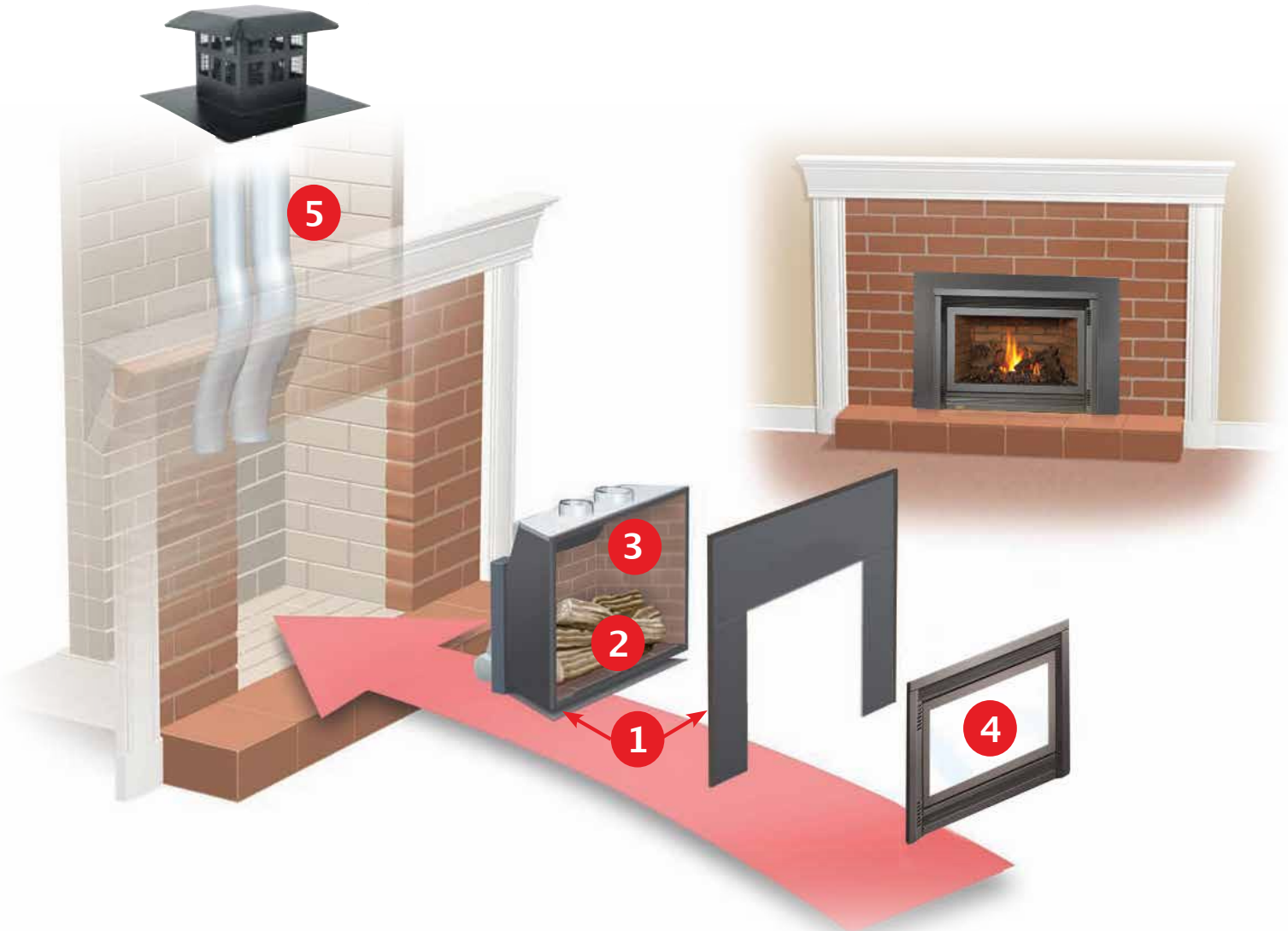
Avalon gas inserts are designed to capture the natural beauty of fire in a way that heats your home and comforts your family all year long. There are models designed to fit every decor, from traditional charm to metropolitan elegance. Easy to use and simple to maintain, Avalon gas inserts provide a gracious invitation to reflect and enjoy life at your own pace.

# AN INSERT FOR EVERY FIREPLACE



## Turn Your Fireplace Into An Efficient Heat Source

Avalon's gas inserts allow you to enjoy a gorgeous, glowing fire without losing heat out of your chimney. These inserts are designed to transform virtually any masonry or zero clearance (metal) fireplace into an efficient source of heat. Traditional, open fireplaces can have efficiency ratings as low as 15%, and depending on the condition, can actually draw the heat out of your home for a net heat loss. Avalon's heater-rated gas inserts achieve steady state efficiency ratings as high as 85%.



1

Pick an  
Insert & Finish  
Panel

2

Pick a  
Log Set

3

Choose an  
Optional Fireback

4

Pick a  
Face

5

Add a  
Liner Kit

6

Enjoy  
the Heat!

## Choosing The Right Insert For your Home

The first step is choosing the right size insert to fit your masonry or factory built fireplace. Our medium gas inserts will fit most small size fireplaces, and heat up to 1,500 square feet. The large inserts will heat more space, up to 2,000 square feet, and have larger viewing areas. We have a variety of finish panels to close off the opening around your new insert. See your Avalon Dealer for custom options that are available.



*31 DVI shown with  
Universal Face/Panel,  
Classic Log Set with standard  
black painted interior.*



Scan this QR Code  
to watch a video  
of the 31 DVI  
fire burning.

# 31 DVI MID-SIZED GAS INSERT



## BASIC – 1,500 Square Foot Heater

The 31 DVI provides a beautiful, efficient and economical way to heat your small to mid-sized home. Basic heating functions and simple, manual controls make the 31 DVI an easy insert to own and operate. For its size, this insert features a large, open fire viewing area that showcases a stunning display of fire that can complement any personal style. The 31 DVI includes powerful convection fans that warm your room quickly and help circulate heat to other areas of your home.

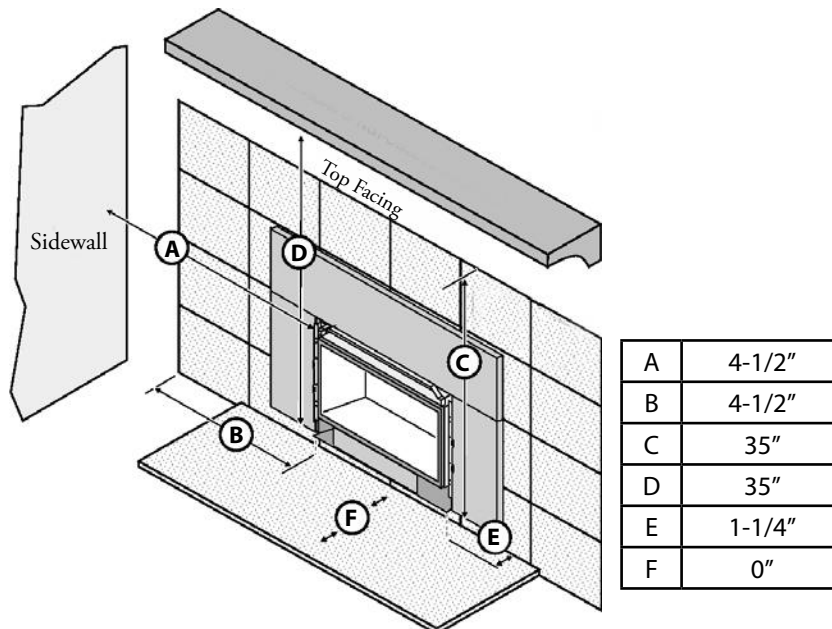
### Choices *(See Pages 16 –19)*

- Four face designs to choose from
- Choose between Classic Log Set, Driftwood Fyre–Art™, or Fyre–Stone Rock Kit
- Four fireback choices
- Five Finish Panels to choose from. Custom panels also available
- Optional Basic Remote Control, Wall Thermostat or Wall Timer
- Insert Wiring Kit

### Specifications

Heating Capacity:	Up to 1,500 Square Feet
Maximum BTU/HR Input:	31,000 (NG/LP)
Minimum BTU/HR Input:	10,700 (NG) 12,600 (LP)
Steady State Efficiency (High):	Up To 81.91% (NG), 84.33% (LP)
P4 Canadian Efficiency:	70.00% (NG), 72.35% (LP)
Dimensions:	19-1/2" H, 26-1/2" W (Front), 18" W (Back), 15-1/8"D
Glass Area:	24-1/4" W x 12-3/4" H

### Clearances To Combustibles & Hearth Protection





*32 DVS shown with Cypress™  
Face, High Definition Ember-Fyre®  
Log Set with standard black  
painted interior.*



Scan this QR Code  
to watch a video  
of the 32 DVS  
fire burning.

# 32 DVS MID-SIZED GAS INSERT



## DELUXE – 1,500 Square Foot Heater

The 32 DVS deluxe gas insert offers the ultimate in beauty and performance, and is great for heating small homes and living spaces. This insert has the same heating capacity as the 31 DVI but features the award-winning Ember-Fyre™ burner technology\* and high definition log set, along with fully automatic operation with the GreenSmart™ remote. The 32 DVS also comes standard with powerful convection fans that warm your room quickly and help circulate heat to other areas of you home. Another feature of this insert are the rear Accent Lights, utilized with the Ember-Fyre™ or Dancing-Fyre™. Accent Lights are not available if using the Driftwood Fyre-Art™ or Fyre-Stone™ Rock Kit.

### Choices *(See Pages 16 -19)*

- Four face designs to choose from
- Choose between the Award-Winning Ember-Fyre™ burner\* with high definition log set or Dancing-Fyre burner with choice of Classic Log Set, Driftwood Fyre-Art™ or Fyre-Stone™ Rock Kit
- Four fireback choices
- Five Finish Panels to choose from. Custom panels also available
- Insert Wiring Kit

### Specifications

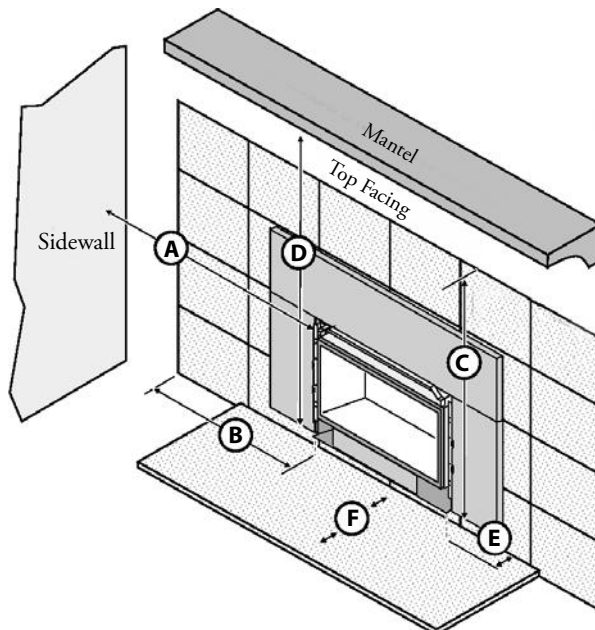
Heating Capacity:	Up to 1,500 Square Feet
Maximum BTU/HR Input:	31,000 (NG/LP)
Minimum BTU/HR Input:	10,700 (NG) 12,600 (LP)
Steady State Efficiency:	Up To 82.64% (NG), 86.13% (LP)
P4 Canadian Efficiency:	71.08% (NG), 73.73% (LP)
Dimensions:	19-1/2" H, 26-1/2" W (Front), 18" W (Back), 15-1/8"D
Glass Area:	24-1/4" W x 12-3/4" H



\* **Featuring  
Ember-Fyre™  
Technology**

It's the most realistic gas fire available – so real, that Popular Science® magazine awarded the Ember-Fyre™ burner one of its top 100 innovations of the year!

### Clearances To Combustibles & Hearth Protection



A	4-1/2"
B	4-1/2"
C	35"
D	35"
E	1-1/4"
F	0"



*430 with Times Square™  
Face, One-Piece Finish Panel,  
Driftwood Fyre-Art™ and  
Stainless Steel Fireback*



Scan this QR Code  
to watch a video  
of the 430  
fire burning.



# 430 MID-SIZED INSERT



## DELUXE – 1,500 Square Foot Heater with Large Viewing Area

The fully automatic 430 insert is sure to become the focal point of any room, as it showcases a presentation of fire that is second to none, with a 20% larger viewing area than most inserts its size. The 430's fire is displayed through a big, open window that is extended down further to create the look of a traditional, open fireplace. This insert is perfect for providing warmth to smaller homes or zone heating specific areas. It features fully automatic controls with the GreenSmart™ wireless wall mount remote, and comes standard with top and rear interior accent lighting and convection fans.

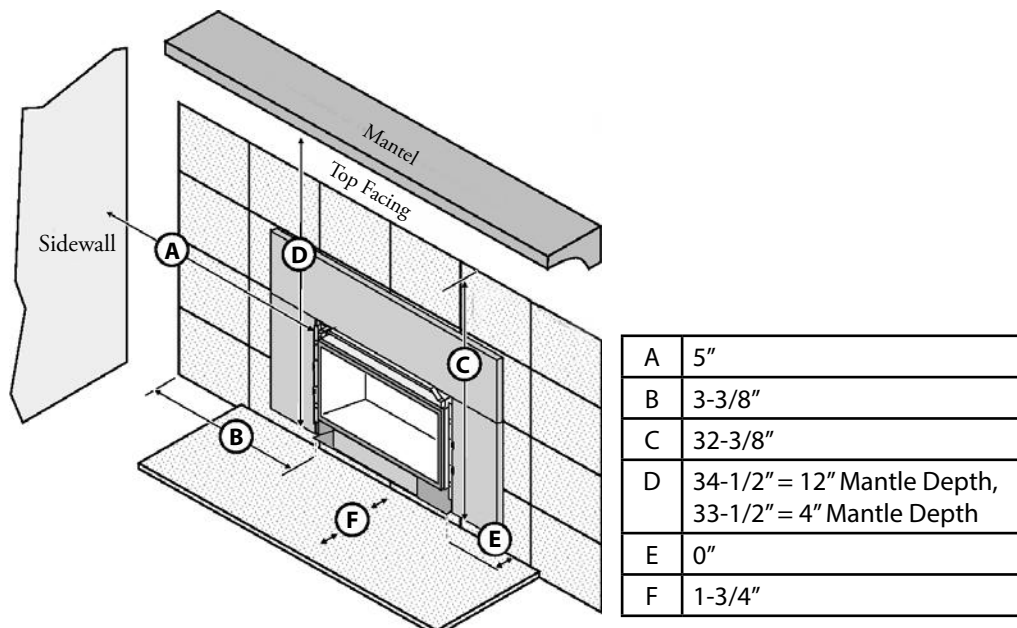
### Choices (See pages 16–19)

- Choose between Classic Log Set or Driftwood Fyre-Art™
- Six fireback choices (REQUIRED)
- Two sizes of finish panels to choose from. Custom panels also available
- Insert Wiring Kit

### Specifications

Heating Capacity:	Up to 1,500 Square Feet
Maximum BTU/HR Input:	31,000 (NG/LP)
Minimum BTU/HR Input:	11,241 (NG), 7,702 (LP)
Steady State Efficiency (High):	Up To 76.30% (NG), 79.23% (LP)
P4 Canadian Efficiency:	65.29% (NG), 67.56% (LP)
Dimensions:	20-1/4" H, 30-1/2" W (Front), 21" W (Back), 15-1/2"D
Glass Area:	23" W x 16" H

### Clearances To Combustibles & Hearth Protection





*33 DVI shown with  
Times Square™ Face, One-Piece  
Finish Panel, Classic Log Set and  
Common Brick Fireback*



Scan this QR Code  
to watch a video of  
the 33 DVI  
fire burning.

# 33 DVI LARGE GAS INSERT



## BASIC - 2,000 Square Foot Heater

The 33 DVI accommodates an economical lifestyle by offering a high quality, value-priced insert that showcases a gorgeous fire and produces excellent heat for warming larger homes and living spaces. Simple manual operation and basic performance controls make the 33 DVI an easy, carefree insert to own, and a big viewing area showcases a beautiful display of fire. This insert is also great for zonal heating purposes when heating a smaller area of your home is desired. The 33 DVI includes convection fans that warm your room quickly and help circulate heat to other areas of your home.

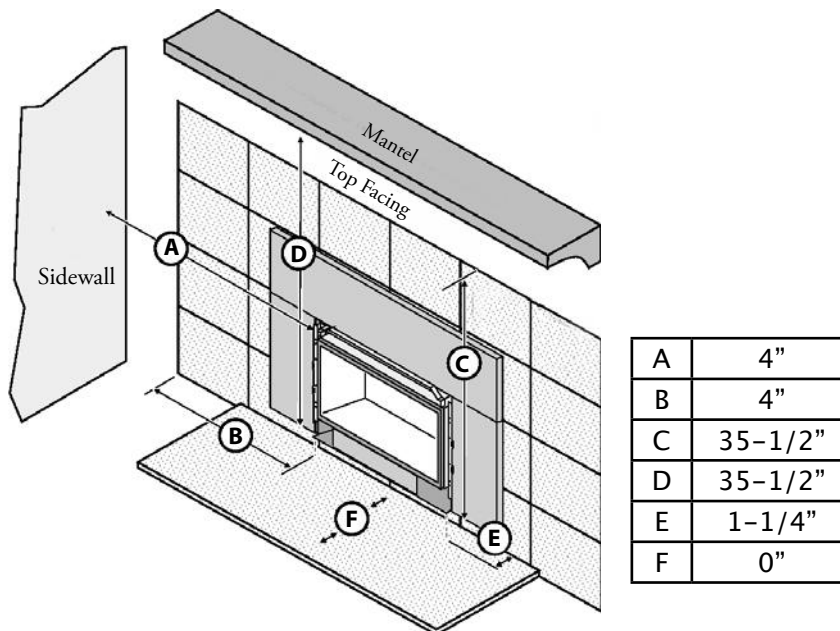
### Choices (See Pages 16–19)

- Three face designs to choose from
- Choose between Classic Log Set, Driftwood Fyre-Art™, or Fyre-Stone™ Rock Kit
- Five fireback choices
- Five Finish Panels to choose from. Custom panels also available
- Optional Basic Remote Control, Wall Thermostat or Wall Timer
- Insert Wiring Kit

### Specifications

Heating Capacity:	Up to 2,000 Square Feet
Maximum BTU/HR Input:	40,000 (NG/LP)
Minimum BTU/HR Input:	11,900 (NG) 7,400 (LP)
Steady State Efficiency (High):	Up To 78.66% (NG), 73.44% (LP)
P4 Canadian Efficiency:	70.05% (NG), 70.23% (LP)
Dimensions:	23-3/4" H, 31-1/2" W (Front), 20" W (Back), 14-1/2"D
Glass Area:	27-3/4" W x 17" H

### Clearances To Combustibles & Hearth Protection





*34 DVL shown with Rosario™  
Face, Driftwood Fyre-Art™,  
and Black Enamel Fireback*



Scan this QR Code  
to watch a video of  
the 34 DVL  
fire burning.

# 34 DVL GAS INSERT



## DELUXE – 2,000 Square Foot Heater

The deluxe 34 DVL is the most convenient and beautiful way to provide warmth to medium and large sized homes. This insert has the same heating capacity as the 33 DVI but features the award-winning Ember-Fyre™ burner technology\* and high definition log set, along with fully automatic operation with the GreenSmart™ hand-held remote. The 34 DVL also comes standard with powerful convection fans and interior top and rear accent lights that can be utilized with the Classic or Ember-Fyre™ log sets to illuminate the interior of the fireplace with a warm glow, even when the fire is off. Only the top accent light is used if the Driftwood Fyre-Art™ or Fyre-Stone™ Rock Kit is chosen (the rear accent light is disabled).

### Choices *(See Pages 16–17)*

- Three face designs to choose from
- Choose between the Award-Winning Ember-Fyre™ burner\* with high definition log set or Dancing-Fyre burner with choice of Classic Log Set, Driftwood Fyre-Art™ or Fyre-Stone™ Rock Kit
- Five fireback choices
- Five Finish Panels to choose from. Custom panels also available
- Insert Wiring Kit

### Specifications

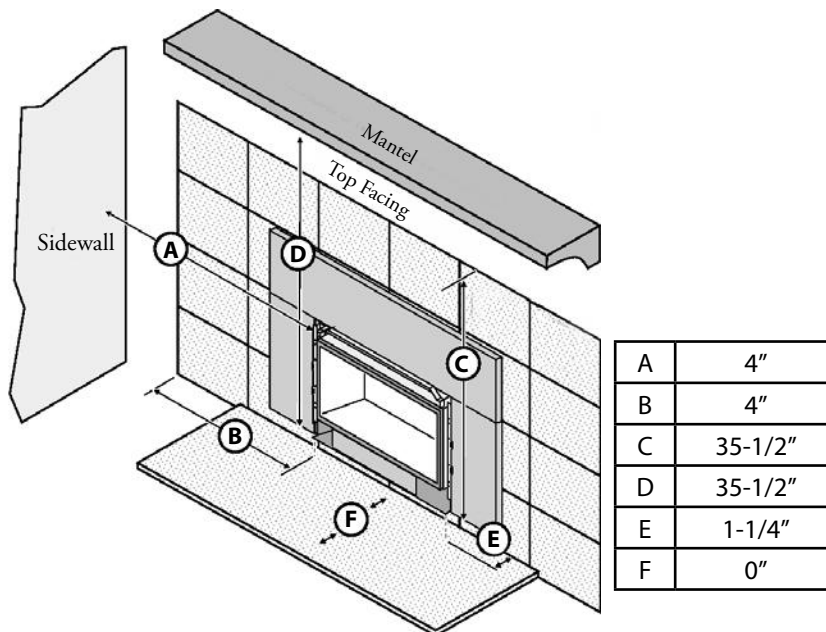
Heating Capacity:	Up to 2,000 Square Feet
Maximum BTU/HR Input:	40,000 (NG/LP)
Minimum BTU/HR Input:	11,900 (NG) 7,400 (LP)
Steady State Efficiency (High):	Up To 82.71% (NG), 82.61% (LP)
P4 Canadian Efficiency:	72.83% (NG), 73.74% (LP)
Dimensions:	23-3/4" H, 31-1/2" W (Front), 20" W (Back), 14-1/2"D
Glass Area:	27-3/4" W x 17" H



**\* Featuring Ember-Fyre™ Technology**  
It's the most realistic gas

fire available – so real, that Popular Science® magazine awarded the Ember-Fyre™ burner one of its top 100 innovations of the year!

### Clearances To Combustibles & Hearth Protection





*616 with Times Square™ Face  
with One-Piece Finish Panel,  
Driftwood Fyre-Art™,  
and Common Brick Fireback*

*616 with Diamond-Fyre™  
burner and under-lit  
Glass Floor*



# 616 LARGE INSERTS

## Two Models

### DELUXE – 2,000 Square Foot Heater with Large Viewing Area

#### 1. 616 with Classic Log Set, Driftwood Fyre-Art™ or Fyre-Stone Rock Kit

The 616 is all about showcasing a big, beautiful fire displayed through an incredible viewing area that is up to 20% larger than other inserts its size, making it a stunning heater and focal point for larger homes. Like the smaller 430 insert, the 616's glass extends almost to the hearth. The 616 represents the best in performance and quality, as it features top and rear interior accent lights, convection fans, and the GreenSmart™ wireless wall mount remote which allows you to control every function of this insert while relaxing in your favorite chair and enjoying the ambiance of a burning fire.

#### 2. 616 with Diamond-Fyre Burner and Glass Floor (*Inset Photo on left*)

The 616 Diamond-Fyre™ offers an alternative look that is perfect for more contemporary homes and lifestyles. A bed of reflective crushed glass in your choice of three colors is under-lit with accent lights to display a magical presentation of fire. The 616 Diamond-Fyre™ can be customized further with the Twigs and Stone interior Fire Art.

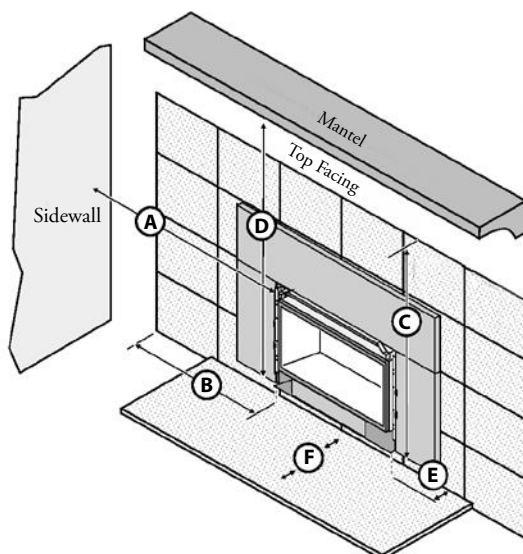
### Options (*See pages 16–19*)

- Choose between Classic Log Set, Driftwood Fyre-Art™, Fyre-Stone™ Rock Kit or Glass Floor
- Five firebacks choices – (*Diamond-Fyre™ model offers black painted or black enamel firebacks*) REQUIRED
- Two sizes of finish panels to choose from. Custom panels also available
- Insert Wiring Kit

### Specifications

Heating Capacity:	Up to 2,000 Square Feet
Maximum BTU/HR Input:	<u>616</u> – 39,000 (NG/LP) <u>616 DF</u> – 38,000 (NG) 35,000 (LP)
Minimum BTU/HR Input:	<u>616</u> – 14,835 (NG) 11,872 (LP) <u>616 DF</u> –20,580 (NG) 18,637 (LP)
Steady State Efficiency (High):	<u>616</u> – Up To 77.30% (NG), 79.23% (LP) <u>616 DF</u> – Up To 76.7% (NG), 79.07% (LP)
P4 Canadian Efficiency:	<u>616</u> – 64.38% (NG), 66.52% (LP), <u>616 DF</u> –64.75% (NG), 66.34% (LP)
Dimensions:	23-5/16" H, 34" W (Front), 24" W (Back), 16"D
Glass Area:	27-1/2" W x 19-3/4" H

### Clearances To Combustibles & Hearth Protection



A	6"
B	5"
C	35-1/2"
D	36-1/2"
E	0"
F	12"



Scan this QR Code to watch a video of the 616 burning.



Scan this QR Code to watch a video of the 616 Diamond-Fyre burning.

# FACE OPTIONS



## Universal Face/Panel

Does not require Finish Panels.

### 31 DVI/32 DVS

Small: 37-1/2" W x 23-1/8" H

Large: 40-3/8" W x 29" H

### 33 DVI/34 DVL

Small: 40-3/8" W x 27" H

Large: 44" W x 33-1/2" H



## Cypress™ Face

Does not require Finish Panels.

### 31 DVI/32 DVS\*

38" W x 25-1/2" H

\* Does not include ANSI Compliant Glass Screen

Features curved contours and Halogen Accent Lights.



## Rosario™ Face

Requires Finish Panels.

### 31 DVI/32 DVS

32" W x 22" H

### 33 DVI/34 DVL

35-3/4" W x 26" H



## Times Square™ Face

Requires Finish Panels.

### 31 DVI/32 DVS

30-3/8" W x

20-7/8" H

### 33 DVI/34 DVL

34" W x 24-7/8" H



## Times Square™ Face

Requires Finish Panels.

### 430

31-1/16" W x

22" H

### 616

35-1/2" W x

25-5/8" H

# FIREBACK OPTIONS

Avalon offers a selection of transitional firebacks to customize the interior look of your insert and provide a striking background for the media and glowing flames. Firebacks are optional on the 31 DVI, 33 DVI, 32 DVS and 34 DVL models. Firebacks are required on the 430 and 616 models. Both 430 and 616 models offer Black Painted Firebacks along with most of the other fireback options. The 430 model also has the option of a Stainless Steel Fireback. For the 616 Diamond-Fyre™ your choices include the Black Painted or Black Enamel Firebacks.



Handmade Brick



Herringbone Brick



High Gloss Black Enamel



Ledgestone Brick

34 DVL Insert Only



Common Brick



Stainless Steel

430 Insert Only



# FINISH OPTIONS

## Finish Panels for 31DVI, 33 DVI, 32 DVS and 34 DVL

These panels are attached to the insert to accommodate the size variance between the insert face and the size of your existing fireplace opening. Custom three-sided and four-sided panels are also available by special order from your Avalon Dealer.

### Models 31 DVI/32 DVS

#### Three Piece Finish Panels With Trim

4" x 6"	37-1/8"W x 25"H
8" x 10"	40-3/8"W x 28-7/8"H
10" x 13"	44-3/8"W x 31-7/8"H

#### One-Piece Finish Panels, No Trim

Small	38"W x 25"H
Large	40"W x 28-1/2"H

### Models 32 DVS/34 DVL

#### Three-Piece Finish Panels With Trim

4" x 6"	40"W x 29"H
8" x 10"	44-3/16"W x 33-3/8"H
10" x 13"	48-3/16"W x 36-3/8"H

#### One-Piece Finish Panels, No Trim

Small	42"W x 30-1/2"H
Large	44"W x 34"H



#### Three-Piece Finish Panels

Top and two sides. Includes Black Trim



#### One-Piece Finish Panels

Clean look with no seams. Does not include Black Trim

## Finish Panels for 430, 616 and 616 Diamond-Fyre™

These panels are attached to the insert to accommodate the size variance between the insert face and the size of your existing fireplace opening. Custom three-sided and four-sided panels are also available by special order from your Avalon Dealer.

### Model 430

38" W x 25" H
40" W x 28-1/2" H

### Model 616 & 616 DF

42" W x 30-1/2" H
44" W x 34" H



## Direct Vent Kit

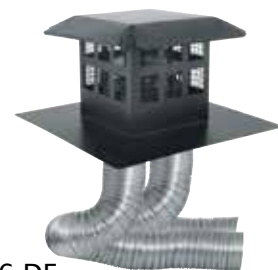
Looking for a clean look and a great value to finish off your installation? Avalon offers a decorative direct vent chimney cap and 30' liner kit for your new gas insert.

For Models:

31 DVI, 32 DVS, and 430  
Part No. 96200330

For Models:

33 DVI, 34 DVL, 616, and 616 DF  
Part No. 96200331



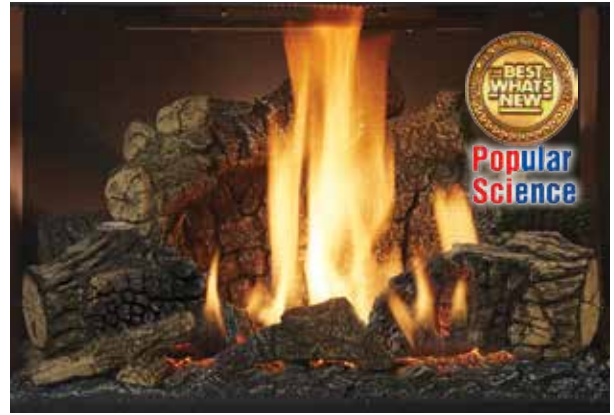
## Insert Wiring Kit Option

If you do not want the power cord running across your hearth use our optional U. L. approved Fan Wiring Kit. This kit allows you to hard-wire the electrical connection within your existing fireplace for a safe and cord free installation. Available for all gas inserts. Part No. 97200315

# MID-SIZED INSERT LOG SET AND MEDIA OPTIONS



**31 DVI/32 DVS**  
Dancing-Fyre™ Burner  
with Classic Log Set



**32 DVS**  
Ember-Fyre™ Burner with High  
Definition Log Set



**31DVI / 32 DVS**  
Dancing-Fyre™ Burner  
with Fyre-Stone™ Rock Kit  
Choose from Platinum, Bronze  
or Cobalt Blue Glass.



**31DVI / 32 DVS**  
Dancing-Fyre™ Burner  
with Driftwood Fyre-Art™  
Choose from Platinum, Bronze  
or Cobalt Blue Glass.



**430**  
With Classic Log Set



**430**  
With Driftwood Fyre-Art™

# LARGE INSERT LOG SET AND MEDIA OPTIONS



**33 DVI/34 DVL**  
Dancing-Fyre™ Burner  
with Classic Log Set



**616**  
with Classic Log Set



**34 DVL**  
Ember-Fyre™ Burner  
with High Definition Log Set



**616**  
with Driftwood Fyre-Art™



**33 DVI / 34 DVL**  
Dancing-Fyre™ Burner  
with Fyre-Stone™ Rock Kit and Glass Media



**616**  
with Fyre-Stone™ Rock Kit



**33 DVI / 34 DVL**  
Dancing-Fyre™ Burner  
with Driftwood Fyre-Art™ and Glass Media



**616 Diamond-Fyre™**  
with under Lit Glass Media





# GREAT GREEN SMART FEATURES:

## Comfort Control™ (Featured on All Models Except the 616 Diamond-Fyre™)

With the push of a button, Comfort Control™ will turn off the rear burner while leaving the front burner on for an attractive flame appearance when less heat output is desired. This feature not only ensures your comfort, but does not waste energy when less heat is desired. Comfort Control™ offers the ultimate in heating flexibility and allows you to enjoy your fire year-round.

## Accent Lights (Not available on Models 31 DVI and 33 DVI)

Accent Lights add a warm glow to the interior of the firebox and can be used whether the fire is on or off. These Accent Lights serve as a perfect night-light or soft, indirect light for the room and allow for visual enhancement of your insert 365 days a year.

Rear accent lights not available on DVS and DVL when using Driftwood or Fyre-Stone Rock Kit.



Accent Light Off



Accent Light On

## Multi-Function Wireless Thermostat GreenSmart™ Remote Control

(Not available on Models 31 DVI and 33 DVI)

The GreenSmart™ Remote Control can be wall mounted or used as a hand-held device.

### Functions of the Remote:

- Thermostat
- Flame Adjustment
- Fan Operation
- Accent Light Control
- Comfort Control™
- GreenSmart™ /CPI Pilots



## Choice of Pilot Modes

(Featured On All Models)

Easily Switch Between Pilot Modes.

**GreenSmart™:** Use this mode during the summer to eliminate gas consumption and heat from the pilot flame.

**CPI-Continuous Pilot:** Use Continuous Pilot during the fall and winter months or in cold climate areas where more heat is desired. This mode keeps the Pilot on at all times and warms the vent system to maintain a strong draft in the chimney and reduce moisture condensation on the glass.

## Control Settings



### Flame Adjustment

Adjusts the height/heat of the flame as you desire. 6 levels of flame height to choose from. Not used while in Smart Thermostat setting.



### Convection Fans

Twin 90 CFM fans circulate room air around the firebox and deliver heated air into your home. 6 speeds to choose from.



### Accent Lights

Create a warm glow to highlight the fireplace interior. Use year-round to add ambiance. 6 levels to choose from.



### Comfort Control™

Turns off the back burner which lowers the BTU input. Allows you to burn less gas on mild days when you want to enjoy a fire and not overheat your living area.

Not applicable to the 616 Diamond-Fyre™ model.



### Manual Setting

ON/OFF Fire and fan stay where you manually set it.

### Thermostat Setting

Fireplace turns ON or OFF to maintain your desired home/room temperature.

### Smart Thermostat Setting

Fire height will adjust automatically (up or down or OFF) to better maintain your temperature setting. A greener, more efficient way to heat your home.

Use mobile device to watch a video of how this GreenSmart™ remote works.



# SAFETY FIRST

Your safety is our number one concern. All of Avalon's gas inserts are very safe to own and operate in your home.

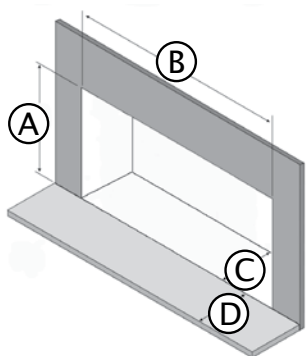
Avalon gas insert faces except the 31 DVI/32 DVS Cypress face, now come standard with a 2015 ANSI-compliant glass screen, providing a safety barrier that protects against accidental contact with the hot glass surfaces and reduces the potential for injury. These screens are practically invisible and are so discrete that they do not detract from the fire view in any way.

Avalon's inserts are all "direct vent", meaning they pull combustion air from outside of the house and not your living space. For indoor air quality, safety and performance, both combustion air and exhaust gases pass through your chimney via a direct vent chimney kit.



# SIZING YOUR INSERT TO YOUR FIREPLACE

Determine which insert is best for your home based on your fireplace size and heating requirements.



### Minimum Fireplace Requirements Per Model

Panel Type	A - Height		B - Width		C - Depth		D - Hearth Ext.	
	3-Piece	1-Piece	3-Piece	1-Piece	3-Piece*	1-Piece	3-Piece	1-Piece
31DVI/32DVS	19-1/2"	20-5/8"	26-1/2"	29"	15-5/8"	16-7/8"	1-1/4"	0
33DVI/34DVL	23-3/4"	24-7/8"	31-1/2"	32-1/2"	15"	16-1/4"	1-1/4"	0
430		20-1/4"		30-1/2"		15-1/2"		1-3/4"
616/616DF		24-1/4"		35"		16-1/2"		12"

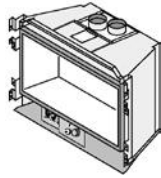
\* Insert sits 1-1/4" further onto hearth

# DESIGN YOUR PERFECT FIRE!

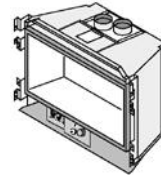
Customize the right fireplace insert for you by visiting our website at [www.avalonfirestyles.com](http://www.avalonfirestyles.com). The Avalon Fireplace Planner can help you customize your fireplace insert with an easy and fun website that helps you choose the right heating appliance for the right space and for the right look.



# MID-SIZED GAS INSERTS



Basic 31 DVI



Deluxe 32 DVS



Deluxe 430

## Fireplace Inserts

### SPECIFICATIONS

The dimensions and clearances on this page are for reference only. Refer to the Owner's Manual prior to installation.

Height	19-1/2" (495mm)	19-1/2" (495mm)	20-1/4" (515mm)
Width in Front	26-1/2" (673mm)	26-1/2" (673mm)	30-1/2" (775mm)
Width in Back	18" (457mm)	18" (457mm)	21" (534mm)
Depth	15-1/8" (384mm)	15-1/8" (384mm)	15-1/2" (394mm)
Flex Vent Diameter	3" Exhaust - 3" Air Intake	3" Exhaust - 3" Air Intake	3" Exhaust - 3" Air Intake
Unit Weight	115 lbs.	115 lbs.	106 lbs.
Glass Size	24-1/4" W x 12-3/4" H	24-1/4" W x 12-3/4" H	23" W x 16" H
<i>(viewing glass will vary slightly with face design)</i>	352.5 sq. in.	352.5 sq. in.	430 sq. in.
Powerful Convection Fans	180 CFM	180 CFM	180 CFM
GreenSmart™ 2 Remote	NO	YES	YES

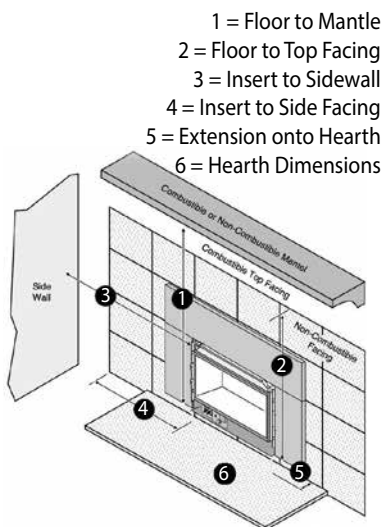
### PERFORMANCE

\*Heating Capacity can be affected by negative pressure in the home and by prevailing atmospheric conditions. Contact local building or fire officials about restrictions and installation requirements in your area.

Heating Capacity*	Up to 1,500 square feet	Up to 1,500 square feet	Up to 1,500 Sq. Ft.
BTU Input (NG)	31,000 (high) - 10,700 (low)	31,000 (high) - 10,700 (low)	31,000 (high) - 11,241 (low)
BTU Input (LP)	31,000 (high) - 12,600 (low)	31,000 (high) - 12,600 (low)	31,000 (high) - 7,702 (low)
Steady State Efficiency Up To (High)	81.91% (NG)	82.64% (NG)	76.3% (NG)
<i>Steady State Efficiency determined using maximum venting as tested under DOE 10 CFR part 430, Subpart B, Appendix O.</i>	84.33% (LP)	86.13% (LP)	79.23% (LP)
Canada Energuide Efficiency	70% (NG)	71.08% (NG)	65.29% (NG)
<i>FE Efficiency determined using CSA P4.1-02.</i>	72.35% (LP)	73.73% (LP)	67.56% (LP)
AFUE Efficiency	67.8% (NG)	75.4% (NG)	68.8% (NG)
	75.3% (LP)	76.2% (LP)	67.2% (LP)

### CLEARANCES TO COMBUSTIBLES

Installation information is available at your local Avalon dealer or online at [www.avalonfirestyles.com](http://www.avalonfirestyles.com)



- 1 = Floor to Mantle
- 2 = Floor to Top Facing
- 3 = Insert to Sidewall
- 4 = Insert to Side Facing
- 5 = Extension onto Hearth
- 6 = Hearth Dimensions

- 1 = 35"\* (889mm)
- 2 = 35" (889mm)
- 3 = 4-1/2" (114mm)
- 4 = 4-1/2" (114mm)
- 5 = 1-1/4"\* (32mm)
- 6 = 0"

\* Maximum 12" mantle depth. See Owner's Manual for clearances when using less than 12" mantle depth.  
\*\*0" If used with one piece panel.

- 1 = 35"\* (889mm)
- 2 = 35" (889mm)
- 3 = 4-1/2" (114mm)
- 4 = 4-1/2" (114mm)
- 5 = 1-1/4"\* (32mm)
- 6 = 0"

\* Maximum 12" mantle depth. See Owner's Manual for clearances when using less than 12" mantle depth.  
\*\*0" If used with one piece panel.

- 1 = 34-1/2"\* (877mm)
- 2 = 32-3/8" (823mm)
- 3 = 6" (152mm)
- 4 = 3-3/8" (186mm)
- 5 = 0"
- 6 = 12" (305mm)

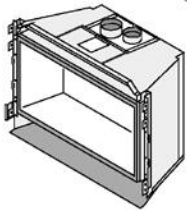
\* Maximum 12" mantle depth. See Owner's Manual for clearances when using less than 12" mantle depth.

### PANEL SIZES

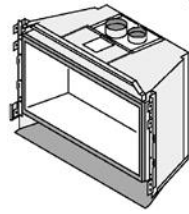
Measurements for each panel is for maximum fireplace opening coverage - Panels not used on Cypress and Universal Faces. 3 and 4 sided Custom Fit Panels are available from your Avalon dealer.

Arched 8" sides x 10" top	40-3/8" W x 23-1/2" H, side	40-3/8" W x 23-1/2" H, side	
Rectangular 4" sides x 6" top	40-3/8" W x 28-7/8" H top	40-3/8" W x 28-7/8" H top	
Rectangular 8" sides x 10" top	37-1/8" W x 25" H	37-1/8" W x 25" H	
Rectangular 10" sides x 13" top	40-3/8" W x 28-7/8" H	40-3/8" W x 28-7/8" H	
<i>(all can be trimmed for inside fit of fireplace opening)</i>	44-3/8" W x 31-7/8" H	44-3/8" W x 31-7/8" H	
One Piece Small	38" W x 25" H	38" W x 25" H	38" W x 25" H
One Piece Large	40" W x 28-1/2" H	40" W x 28" H	40" W x 28-1/2" H

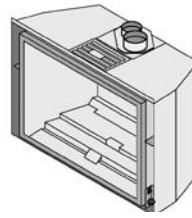
# LARGE GAS INSERTS



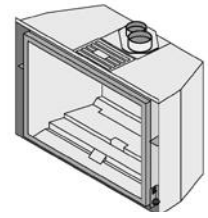
*Basic 33 DVI*



*Deluxe 34 DVL*



*Deluxe 616*



*Deluxe 616 Diamond-Fyre™*

<p>23-3/4" (603mm) 31-1/2" (800mm) 20" (508mm) 14-1/2" (368mm) 4" Exhaust - 3" Air Intake 135 lbs. 27-3/4"W x 17"H 518.38 sq. in. 180 CFM NO</p>	<p>23-3/4" (603mm) 31-1/2" (800mm) 20" (508mm) 14-1/2" (368mm) 4" Exhaust - 3" Air Intake 135 lbs. 27-3/4"W x 17"H 518.38 sq. in. 180 CFM YES</p>	<p>23-5/16" (592mm) 34" (864mm) 24" (610mm) 16" (406mm) 4" Exhaust - 3" Air Intake 133 lbs. 27-1/2"W x 19-3/4"H 616 sq. in. 180 CFM YES</p>	<p>23-5/16" (592mm) 34" (864mm) 24" (610mm) 16" (406mm) 4" Exhaust - 3" Air Intake 133 lbs. 27-1/2"W x 19-3/4"H 616 sq. in. 180 CFM YES</p>
<p>Up to 2,000 square feet 40,000 (high) - 11,900 (low) 40,000 (high) - 7,400 (low)</p> <p>78.66% (NG) 73.44% (LP)</p> <p>70.05% (NG) 70.23% (LP) 69.5% (NG) 69.9% (LP)</p>	<p>Up to 2,000 square feet 40,000 (high) - 11,900 (low) 40,000 (high) - 7,400 (low)</p> <p>82.71% (NG) 82.61% (LP)</p> <p>72.83% (NG) 73.74% (LP) 77.3% (NG) 79.4% (LP)</p>	<p>Up to 2,000 Sq. Ft. 39,000 (high) - 14,835 (low) 39,000 (high) - 11,872 (low)</p> <p>77.3% (NG) 79.23% (LP)</p> <p>64.38% (NG) 66.52% (LP) 69.1% (NG) 69.8% (LP)</p>	<p>Up to 2,000 Sq. Ft. 38,000 (high) - 20,580 (low) 35,000 (high) - 18,637 (low)</p> <p>76.7% (NG) 79.07% (LP)</p> <p>64.75% (NG) 66.34% (LP) 68.8% (NG) 67.2% (LP)</p>
<p>1 = 35-1/2"* (902mm) 2 = 35-1/2" (902mm) 3 = 4" (102mm) 4 = 4" (102mm) 5 = 1-1/4"* (32mm) 6 = 0"</p> <p><i>* Maximum 12" mantle depth. See Owner's Manual for clearances when using less than 12" mantle depth.</i></p> <p><i>**0" If used with one piece panel.</i></p> <p><i>Note:</i> 1 &amp; 2 - measured from floor. 3 &amp; 4 - measured from side of unit.</p>	<p>1 = 35-1/2"* (902mm) 2 = 35-1/2" (902mm) 3 = 4" (102mm) 4 = 4" (102mm) 5 = 1-1/4"* (32mm) 6 = 0"</p> <p><i>* Maximum 12" mantle depth. See Owner's Manual for clearances when using less than 12" mantle depth.</i></p> <p><i>**0" If used with one piece panel.</i></p> <p><i>Note:</i> 1 &amp; 2 - measured from floor. 3 &amp; 4 - measured from side of unit.</p>	<p>1 = 36-1/2"* (927mm) 2 = 35-1/2" (902mm) 3 = 6" (152mm) 4 = 5" (102mm) 5 = 0" 6 = 12" (305mm)</p> <p><i>* Maximum 12" mantle depth. See Owner's Manual for clearances when using less than 12" mantle depth.</i></p>	<p>1 = 36-1/2"* (927mm) 2 = 35-1/2" (902mm) 3 = 6" (152mm) 4 = 5" (102mm) 5 = 0" 6 = 12" (305mm)</p> <p><i>* Maximum 12" mantle depth. See Owner's Manual for clearances when using less than 12" mantle depth.</i></p>
<p>44-3/16"W x 28-1/4" H side 44-3/16"W x 33-3/8" H top 40"W x 29" H 44-3/16"W x 33-3/8" H 48-3/16"W x 36-3/8" H</p> <p>42"W x 30-1/2" H 44"W x 34" H</p>	<p>44-3/16"W x 28-1/4" H side 44-3/16"W x 33-3/8" H top 40"W x 29" H 44-3/16"W x 33-3/8" H 48-3/16"W x 36-3/8" H</p> <p>42"W x 30-1/2" H 44"W x 34" H</p>	<p>42"W x 30-1/2" H 44"W x 34" H</p>	<p>42"W x 30 1/2" H 44"W x 34" H</p>

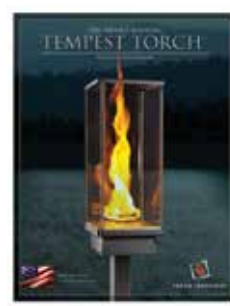
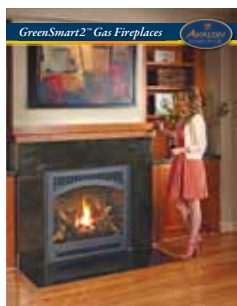
# AVALON PROFESSIONAL HEARTH DEALERS

Only the most professional specialty hearth retailers are selected to sell Avalon stoves, inserts and fireplaces. They represent our total commitment to exceptional products and excellent service. In addition, they have successfully completed special training programs in the proper selection, installation, and service of all Avalon products.

Your professional Avalon hearth dealers are experts who can advise you on everything from customizing the color of your appliance to selecting appropriate venting and chimney materials.

## ADDITIONAL AVALON HEARTH PRODUCTS

Avalon produces a wide variety of quality wood, pellet, and gas appliances. Find your favorite fire today by visiting: [www.avalonfirestyles.com](http://www.avalonfirestyles.com).



## TESTED & CERTIFIED

All Avalon inserts are tested and Certified to ANSI Z21-88a-2009, applicable sections of UL307b-1995. We recommend all Avalon appliances be installed and maintained on an annual basis by your Specialty Hearth Retailer.

Improper installation of your gas appliance or failure to operate it in accordance to the guidelines detailed in the Owner's Manual may negate your warranty and endanger your home and family. Installation information is available on our website at [www.avalonfirestyles.com](http://www.avalonfirestyles.com).

***YOUR AVALON AUTHORIZED DEALER:***



[www.avalonfirestyles.com](http://www.avalonfirestyles.com)  
Manufactured in  
Mukilteo, WA